

MATO Pro anti-fall protection



- Minimized labour costs through faster assembly/ disassembly
- Maximum safety/ protection in accordance with EN 13374, Class C
- Assembly/ Disassembly without tools by just one person
- Perfect handling
- Highly versatile
- No damage to the facade
- Immediate delivery



MATO Pro anti-fall protection

The perfect solution for roofers and solar installers.



Our product range:

- Integral console bracket
- Rafter clamp
- Parapet clamp
- Ridge protection
- Console bracket for ballasted guardrailing
- Roof scaffolding console bracket
- Solar console bracket
- Safety railing
- Guardrail posts
- Scaffolding tube and couplings
- Fall protection guardrails
- Toe boards
- Walkway protection panels
- Nets

MATO Pro anti-fall protection

Simple. Effective. Unique.



Examples of roof access:

- MATO2 Stair towers made of aluminium (see illustration)
- MATO8 Stair towers made of aluminium (for users of an all-in-one system solution)
- MATOR Profi Mobile scaffolding made of aluminium
- MATOR Pro Mobile scaffolding made of aluminium
- MATOR Eco Mobile scaffolding made of aluminium

MATO Pro anti-fall protection

Quick and safe with integral console bracket.

New!

Integral console bracket

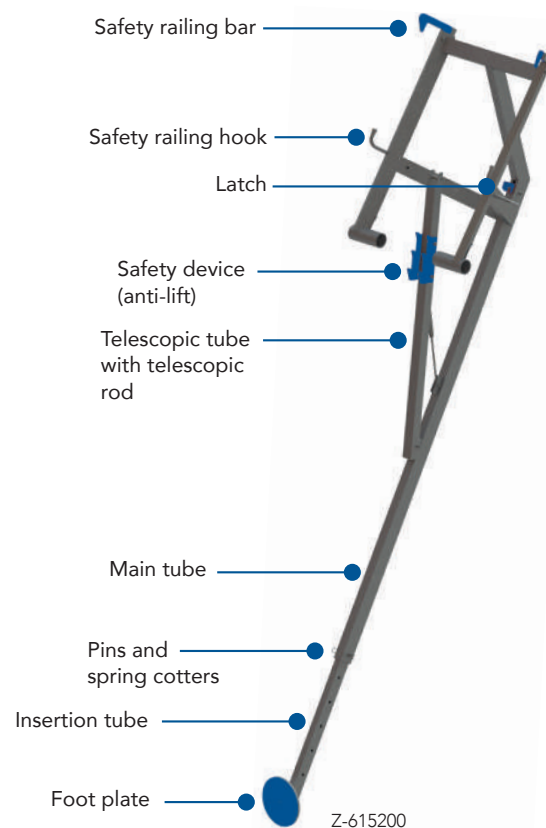
The Tobler integral console bracket is easy to handle, stable and flexible to use. Together with the special safety railings based on round tubes, it is the perfect choice for working safely and productively on sloped and flat roofs.

The integral console bracket simply hooks onto the gutter or the roof edge. The force is dispersed through special facade supports. For more information, see the detailed instructions for construction and use.

Article no.	Designation	Weight
Z-615200	integral console bracket 200 cm, aluminium, height adjustable 2.60–3.50 m	10.45 kg

Benefits

- Easy assembly/disassembly without tools by just one person
- Low weight due to aluminium design
- No anchoring required
- No damage to the building wall from drill holes
- Easy to handle
- Reliable, mobile side protection system in accordance with EN 13374, Class C
- Can be used on the edge of flat roofs
- Can be used on the edge of roofs inclined up to 45°
- Flexible and adaptable
- Full-length railing braces, welded to the main frame
- Aluminium toe board
- Fair price/performance ratio



MATO Pro anti-fall protection

Quick and safe with integral console bracket.

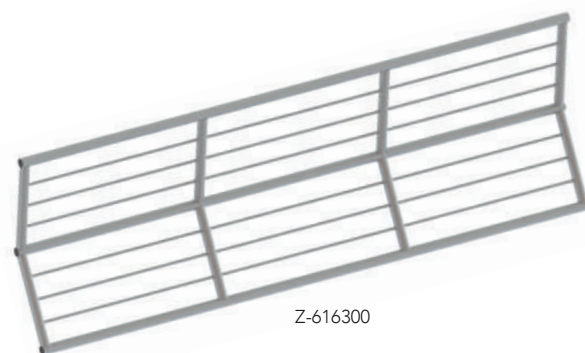


**Super
Safety**

Safety railing for integral console bracket

- Full aluminium
- Available in sizes 200 cm and 300 cm
- 48.3 mm round tube for quick connections to the tubes for gable protection
- Couplings can be attached at any point
- Optional extension with 38 mm star pipe
- Suitable up to and including Class C
- Refer to assembly instructions

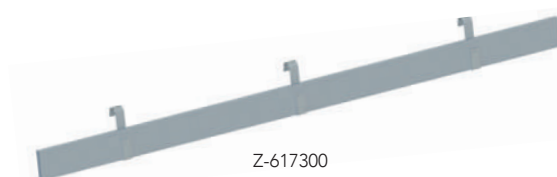
Article no.	Length	Height	Weight
Z-616200	200 cm	100 cm	11.3 kg
Z-616300	300 cm	100 cm	16.45 kg



Z-616300

- Aluminium toe board for safety railing Z-616...
- Light and easy to install
- Reinforced aluminium brackets
- Powder-coating and labelling are possible starting from order volumes above 100 units (may include other system toe boards such as MATO 1, 2,...)

Article no.	Length	Weight
Z-617200	200 cm	3.4 kg
Z-617300	300 cm	5.15 kg



Z-617300

- Integral safety bracket for safety railing Z-616...
- Made of steel (6 mm)
- Height-adjustable bracket
- Angle-adjustable hinge
- Compatible with all roof inclines
- The safety bracket is mandatory for roof inclines from 30° to 45°.

Article no.	Length	Weight
Z-616010	75 cm	2.1 kg



Z-616010



MATO Pro anti-fall protection

Quick and safe with integral console brackets.

universal

Assembling the integral console bracket

The Tobler integral console bracket and its safety railings are designed to provide appropriate fall protection on both flat and inclined roofs.

The product is suitable as temporary edge protection in the roof area, in accordance with the requirements of EN 13374, for roofs inclined up to 60°. It is used in work areas where roof pitches are greater than 0° and up to 45°, if the fall height is exceeding 2m.

Step 1: Hooking and securing

Version 1: Installation in the gutter

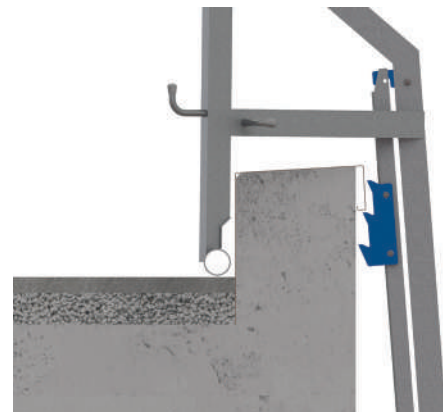
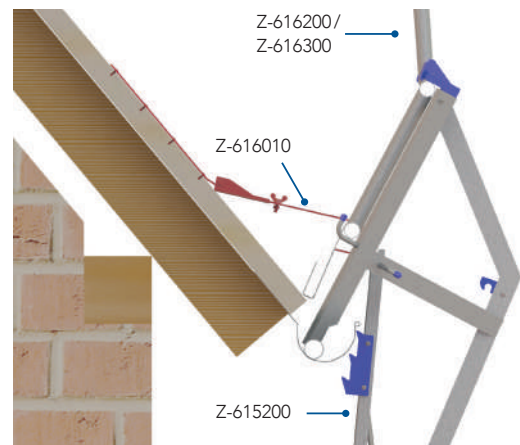
- The integral console bracket is inserted in the gutter.
- The anti-lift device is positioned underneath the bead fold or another kind of edge on the gutter.
- The instructions for construction and use must always be followed.

Version 2: Attachment to the roof edge

- The round tubes of the integral console bracket are positioned behind a roof edge that is at least 6 cm high.
- The anti-lift device is secured by attaching it underneath a copper roof edge strip or another type of edge formation.
- The instructions for construction and use must always be followed.

Step 2: Bracing the foot plate on the facade

- A load-supporting, firm and even facade is required for the bracing.
- The instructions for construction and use must always be followed.



MATO Pro anti-fall protection

For fast and efficient logistics



Storage racks for transportation

Logistics always play a very important role. On construction sites and during transport, time and space mean money. Due to the ever-decreasing numbers of staff on sites, advantages in transport and logistics are becoming more and more important. Tobler is your ideal partner for storage and logistics.

Storage racks

- Made of steel
- Storage rack for 16 units of safety railings

Article no.	Length	Width	Weight
Z-616050	127 cm	64 cm	26 kg



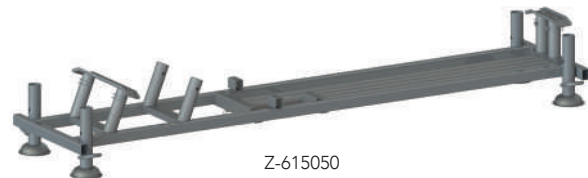
Storage rack with safety railing



Z-616050

- Storage rack for 11 integral console brackets (30 linear metres)

Article no.	Length	Width	Weight
Z-615050	260 cm	60 cm	45.8 kg



Z-615050



Storage rack with integral console brackets



Example of transportation with trailer

MATO Pro anti-fall protection

Verge – Rafter clamp.

Novelty
made of
aluminium!

Rafter clamp – Aluminium

The Tobler rafter clamp made of aluminium is extremely light which means it can be installed quickly, securely and easily by just one person. You can put the rafter tie in the right position in an instant, for more efficient use of your time.

Article no.	Length	Width	Clamping width	Weight
Z-611080	70 cm	15 cm	0–27 cm	6.8kg



Benefits

- aluminium for light weight: only 6.8kg
- Can be assembled by just one person
- Easy pre-positioning using locking pins
- End positioning using an impact wrench or scaffolding ratchet (spanner size 22mm)
- Clamping width 0–27 cm



MATO Pro anti-fall protection

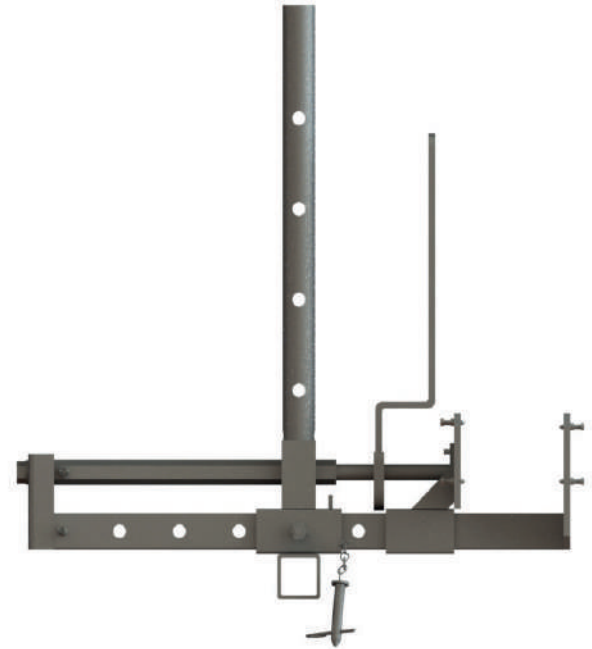
Rafter clamp.



Rafter clamp - Steel

- Galvanized steel rafter clamp, incl. integrated mounting ratchet
- Wall thickness 3mm

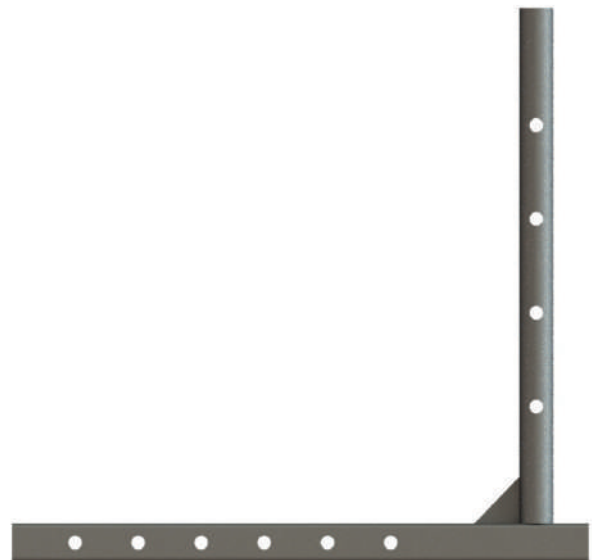
Article no.	Length	Width	Weight
Z-611060	60 cm	15 cm	10.30 kg
Z-611070	70 cm	15 cm	12.60 kg



Z-611070

- Post bracket for rafter clamp for purlin assembly
- World's only rafter clamp that can also be used as purlin clamp.

Article no.	Length	Width	Weight
Z-611072	60 cm	5 cm	3.70 kg



Z-611072

MATO Pro anti-fall protection

Verge – rafter clamp.

Guardrail posts

- Height-adjustable
- Aluminium with two wedge couplings

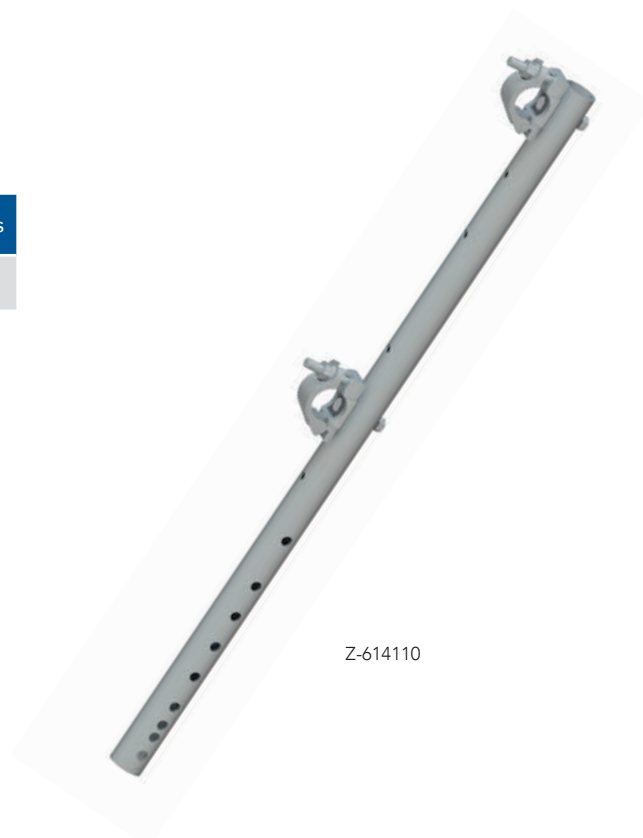
Article no.	Length	Weight	Wall thickness
Z-613110	110cm	3.6kg	4mm



Z-613110

- Aluminium with two screw couplings

Article no.	Length	Weight	Wall thickness
Z-614110	110cm	2.6kg	4mm



Z-614110

MATO Pro anti-fall protection

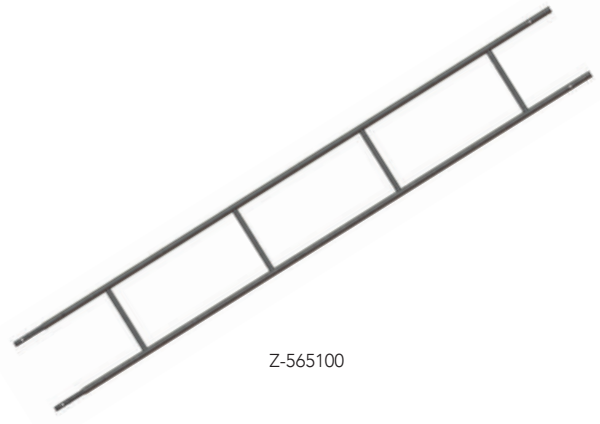
Fall protection guardrails.



Fall protection guardrails

- Made of aluminium
- Wall thickness 4mm

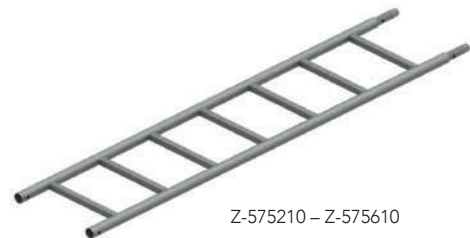
Article no.	Length	Width	Weight
Z-565100	100 cm	50 cm	4.2 kg
Z-565200	200 cm	50 cm	6.9 kg
Z-565400	400 cm	50 cm	13.0 kg
Z-565500	500 cm	50 cm	16.0 kg
Z-565600	600 cm	50 cm	19.5 kg
Z-565800	800 cm	50 cm	25.6 kg



Roof scaffolding ladder

- Ladder aluminium

Article no.	Length	Weight
Z-575210	210 cm	7.7 kg
Z-575310	310 cm	8.0 kg
Z-575610	610 cm	16.0 kg



- Ridge suspension for roof scaffolding ladder

Article no.	Weight
Z-575050	8.25 kg



- Wooden support for roof scaffolding ladder

Article no.	Weight
Z-575042	3.5 kg



Important:

The wooden supports must be fitted at least every 1,50m.

MATO Pro anti-fall protection

Protection on roof ridge and gable.

New!

Console bracket for ridge guardrails

Tobler's console bracket for ridge protection is easy, safe and adjustable. It offers perfect protection against falling near the ridge of the roof. Thanks to its astonishingly low weight, assembly and disassembly of the bracket takes very little time. The stable anchor hook is mounted under the roof tiles, which simply need to be raised slightly for the purpose.

Article no.	Length	Height	Adjustable	Weight
Z-620150	160cm	100cm	0–30°	7.8 kg



Hooking the console bracket under the roof tiles.

Position of cross tube

Benefits

- Aluminium for light weight: only 7.8 kg
- Easy to assemble
- Adjustable from 0–30°
- Solar panels can be mounted all the way up to the ridge
- Fall protection where you need it
- No need for full scaffolding
- No need to remove the roof tiles
- Guardrail posts with fast-locking couplings
- Can be used on all tiled roofs with an incline of up to 45°
- Reliable, mobile side protection system in accordance with EN 13374, Class A

Anchor hook for ridge protection

This special anchor hook is used if the standard anchor hook cannot be used. It is screwed into the rafters.

Article no.	Weight
Z-620010	0.7 kg



Z-620010

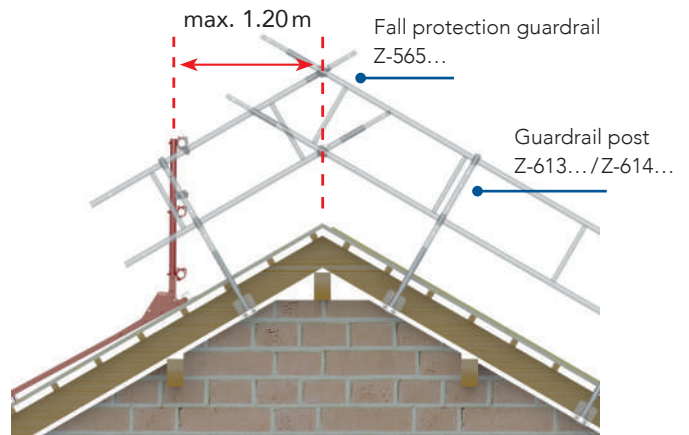
MATO Pro anti-fall protection

Protection on roof ridge and gable.



Gable protection

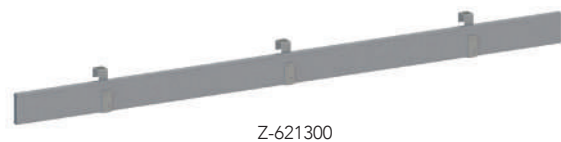
Building on the Tobler rafter clamps, guardrail posts with half-couplings are used to attach the upper and lower scaffolding tubes to the gable guardrail. The guardrail posts are secured in place using pins or screws.



Toe board for ridge protection

- Made of aluminium

Article no.	Length	Height	Weight
Z-620015	300cm	15cm	5.0kg



Scaffolding tube

- Made of aluminium
- Diameter: 48.3 mm x 4.00 mm

Article no.	Length	Weight
Z-190050	50 cm	0.7 kg
Z-190100	100 cm	1.4 kg
Z-190150	150 cm	2.1 kg
Z-190200	200 cm	2.8 kg
Z-190250	250 cm	3.6 kg
Z-190300	300 cm	4.3 kg
Z-190350	350 cm	5.0 kg
Z-190400	400 cm	5.7 kg
Z-190450	450 cm	6.4 kg
Z-190500	500 cm	7.1 kg
Z-190600	600 cm	9.0 kg
Z-190800	800 cm	12.0 kg



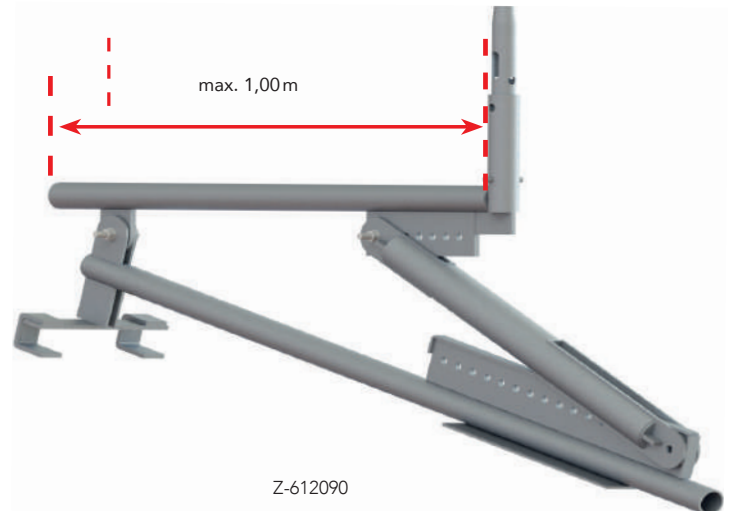
MATO Pro anti-fall protection

Additional brackets for the roof.

Roof scaffolding console bracket

- Made of aluminium
- Can be precisely adapted to every roof slope angle greater than 15° – highly flexible height adjustment
- Suitable for 1 wide and 1 narrow standard deck with round-tube support next to each other
- Load: 500 kg/bracket

Article no.	Length	Weight
Z-612090	90 cm	11.8 kg



- Push-on spigot with coupling, compatible with MATO 1,2 and 8, as well as, the roof scaffolding console

Article no.	Length	Weight
Z-612091	25 cm	1.8 kg



Z-612091

MATO Pro anti-fall protection

Solar console bracket.



Solar console bracket

- Steel
- For up to 34 cm-wide platforms with round-tube support
- Adjustable to roof slope angles between 20°–45°

Article no.	Width	Tube Ø	Weight	Type
Z-612030	30 cm	57 mm	4.8 kg	MATOZ
Z-612031	30 cm	48.3 mm	4.4 kg	MATO 1

- Additional support for solar console bracket

Article no.	Length	Weight
Z-612035	29 cm	1.2 kg



Z-612030



Z-612035



Solar console bracket completely assembled

MATO Pro anti-fall protection

Working safely on the roof eaves.

Bracket for eaves

The MATO bracket solution for eaves meets standard EN 13374.

It is based on the diagonal distribution of forces through bracing on the building facade and is the ideal solution for widely protruding roofs.

In most cases, no roof tiles have to be removed, which will save a lot of costly assembly time. The comprehensive instruction for assembly and use outline the special solutions that are possible.



Article no.	Designation	Total qty
Z-611040S	Guardrailing SET for eaves (bracket for eaves, mesh guards, guardrail posts – 11 units for 20 running metres)	11
Z-611240	Mesh guard, 240 × 100 cm	8
Z-565500	Guardrail, 500 × 50 cm	4
Z-611043	Spacer	16

Article no.	Designation	Weight
Z-611040	Bracket for eaves	5.6 kg
Z-611041	Inclined support	5.4 kg
Z-611042	Guardrail post	6.7 kg
Z-611043	Spacer soffit panel	0.4 kg
Z-611044	Fuse for the eaves bracket	0.6 kg
Z-542248	Swivel coupler 48/48	1.5 kg
Z-528013	Locking pin	0.22 kg
1-510250	Toe board wood	3.4 kg
1-510300	Toe board wood	4.9 kg

Benefits

- Ideal solution for widely protruding roofs
- Fast assembly



MATO Pro anti-fall protection

Working safely on the roof eaves.



Mesh guards for the eaves

- Aluminium mesh
- Refer to assembly instructions

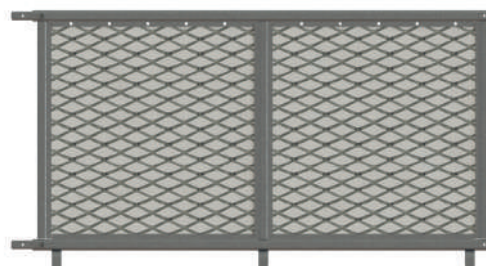
Article no.	Length	Width	Weight
Z-611120	120 cm	100 cm	7.1 kg
Z-611240	240 cm	100 cm	15.9 kg

- Complete steel bracket for soffit mesh
- Adjustable

Article no.	Length	Weight
Z-611242	100 cm	11.5 kg

- Connecting post for soffit mesh
- Ø 48.3 mm thick connection to gable

Article no.	Length	Weight
Z-611100	123 cm	2.10 kg



Z-611120



Z-611242

Z-611100



Bolts and spring cotter pins

Article no.	Designation	Weight
Z-833001	Bolt Ø 10 × 60 mm	0.04 kg
Z-833002	Bolt Ø 10 × 80 mm	0.05 kg
Z-834001	Bolt Ø 12 × 60 mm	0.07 kg
Z-834002	Bolt Ø 12 × 80 mm	0.08 kg
Z-850001	Spring cotter pin	0.02 kg



Z-834002



Z-850001

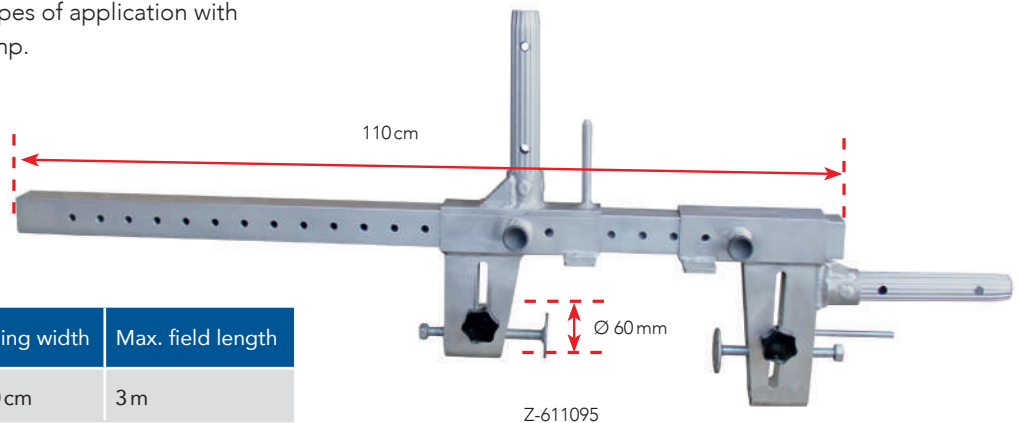
MATO Pro anti-fall protection

Parapet clamp.

Novelty
made of
aluminium!

Parapet clamp – Aluminium

Work on flat and concrete roofs and parapets:
you can cover virtually all types of application with
a single Tobler parapet clamp.



Article no.	Weight	Clamping width	Max. field length
Z-611095	7.5kg	10–90 cm	3m

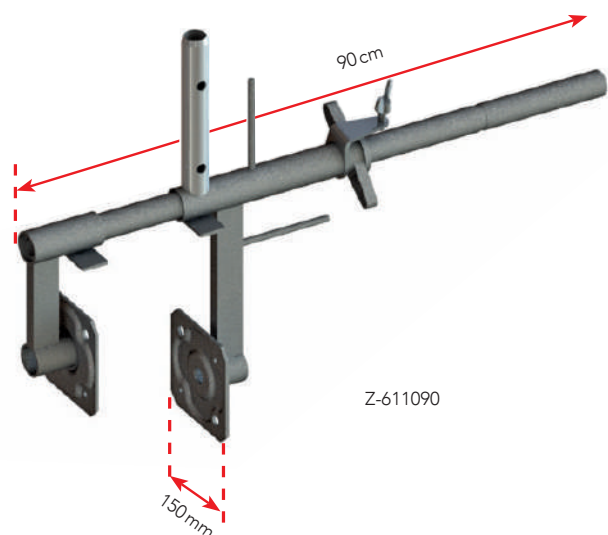
Benefits

- Aluminium for light weight: only 7.5kg
- Wide clamping width 10–90 cm
- Can be assembled by just one person
- Extremely fast to pre-position and secure in place using locking pins, as well as to tighten using impact wrench or scaffolding ratchet
- Maximum flexibility due to height-adjustable clamping plates
- Integrated toe board holder
- Can be used when working on flat roofs, concrete roofs and parapets
- Protection class A according to EN 13374
- Compatible Tobler lattice box

Parapet clamp Steel

- Can be used for concrete roofs/attics and flat roofs
- Convenient securing of the parapet clamp with threaded rod and toggle nut

Article no.	Weight	Clampin width	Max. field length
Z-611090	10.3kg	8–36 cm	4m

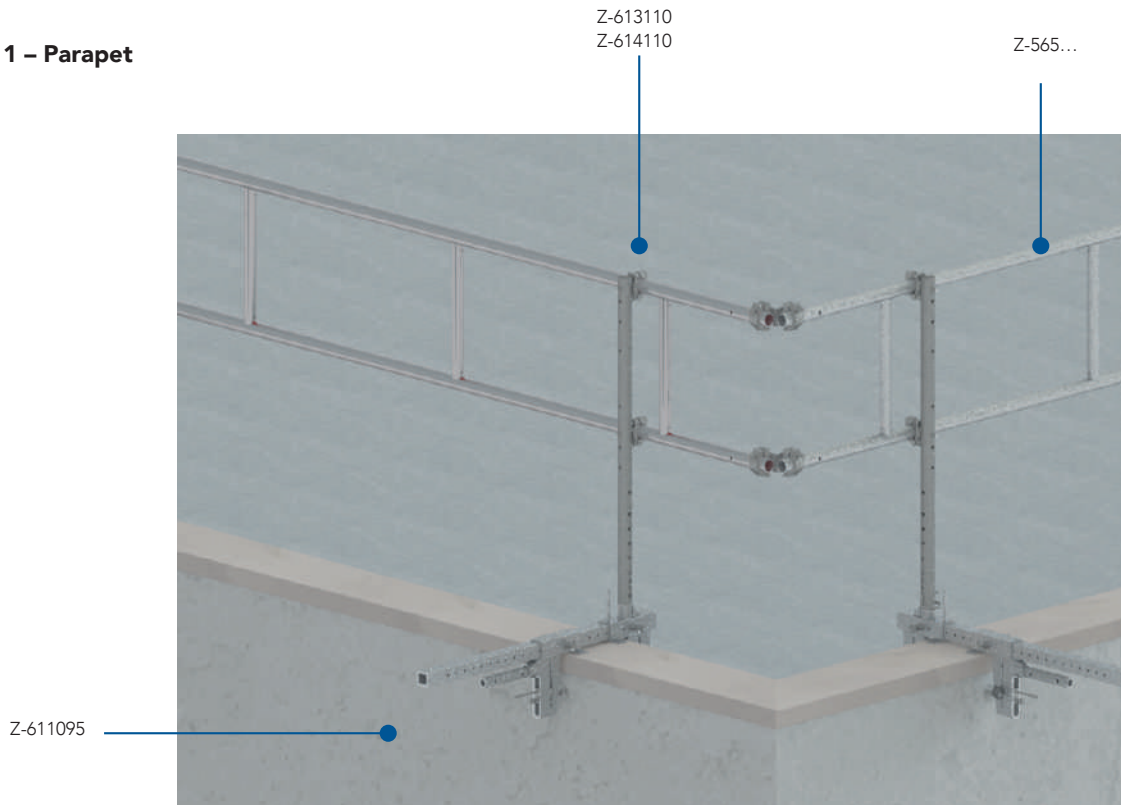


MATO Pro anti-fall protection

Parapet clamp.



Variant 1 – Parapet



Variant 2 – Concrete roof



Important:

The maximum distance between the parapet clamps is:

- 4m when a fall protection system from Tobler is used and all guardrails are being connected
- 3m for a single field

The maximum permissible distance between the lower railing rail and toe board of 47 cm must not be exceeded

- If the maximum permissible vertical distance is exceeded, a third row of guardrail tubes with screw couplings must be attached to the guardrail posts (Z-614110).

MATO Pro anti-fall protection

Console brackets for flat roof guardrailing.

Console bracket for flat roof ballasted guardrailing

Our engineers have created a way for you to bridge a distance of 4 m with a counterweight of just 25 kg.

The fall protection for working on a flat roof guarantees maximum flexibility and can be adapted to all roof shapes.

- Set includes guardrail post
- Adjustable height and depth

Article no.	Length	Width	Weight
Z-610050S	150 cm	5 cm	10.0 kg

Ballast base TL K1

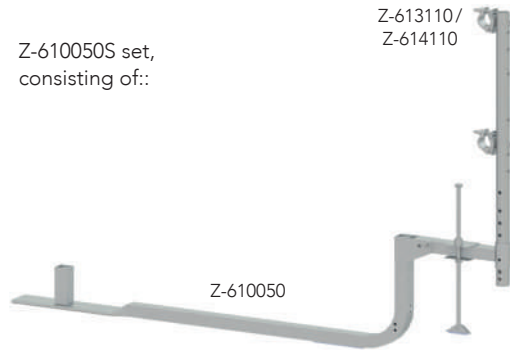
Article no.	Weight
B-310028	23.75 kg

Beam coupling

Article no.	Weight
Z-549248	3.1 kg

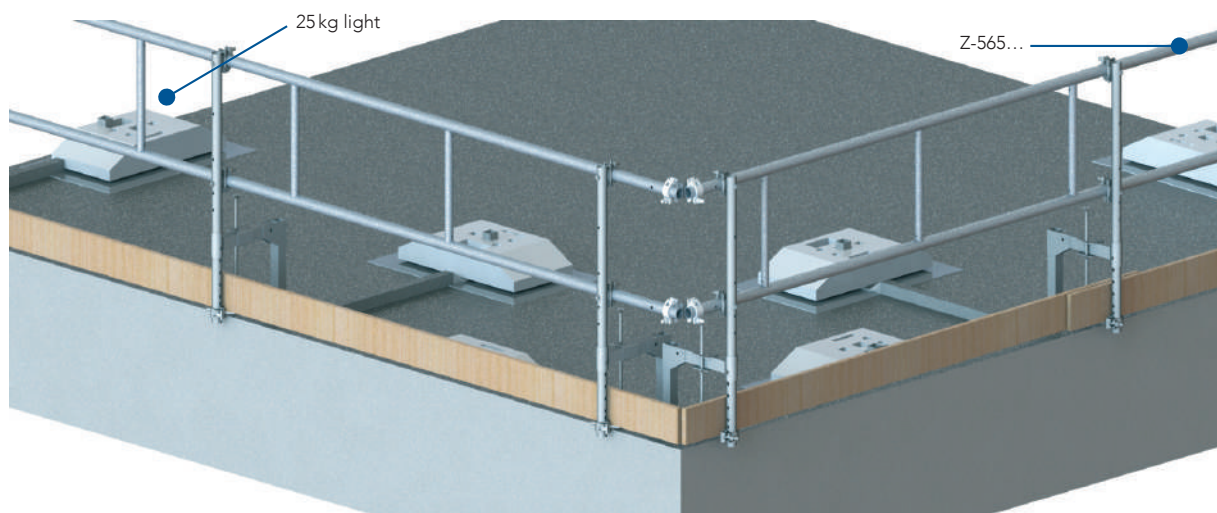
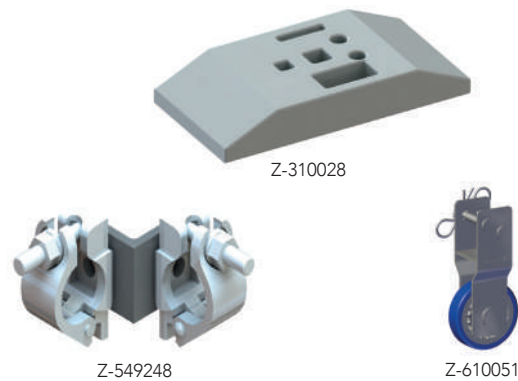
Auxiliary wheel for flat roof console bracket

Article no.	Weight
Z-610051	1.3 kg



Benefits

- Only 4 basic components
- Counterweight of only 25 kg
- Very fast assembly and disassembly
- Can be folded out/folded back together in just 2 steps
- Flat roof guardrail distance up to 4 m
- Up to 8 m of unrestricted working on the roof
- Easy to move



MATO Pro anti-fall protection

Console brackets for flat roof guardrailing.

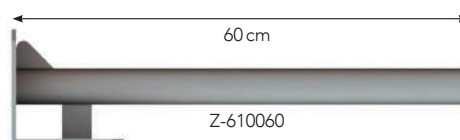


Mounting bracket for flat roof guardrailing

Flat roof railing brackets, together with coupled post brackets, are mounted at a distance of 2 to 3.2m, depending on the brickwork. Only scaffolding tubes with a diameter of 48.3mm or aluminium beams may be used as railings.

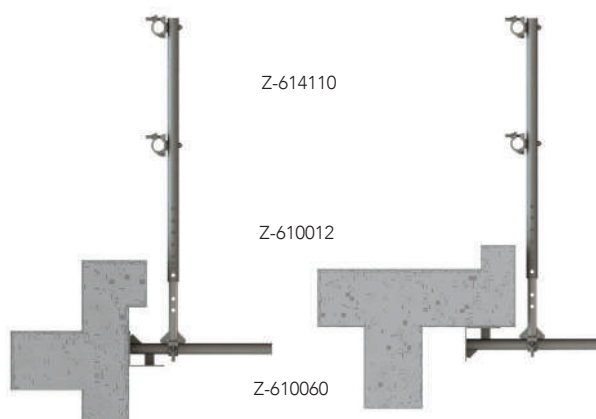
- Made of galvanised steel

Article no.	Length	Bracket width	Weight
Z-610040	27 cm	15 × 15 cm	2.5 kg
Z-610060	60 cm	15 × 15 cm	4.2 kg



Variant 1 – Parapet

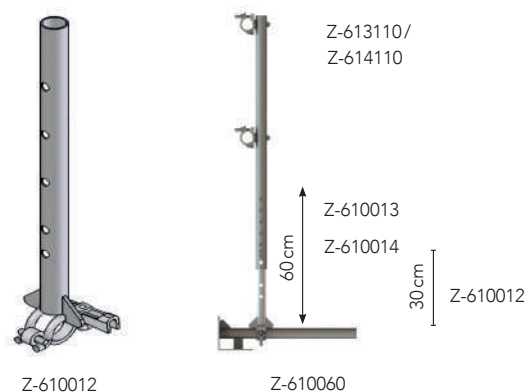
Variant 2 – Concrete roof



Post brackets

- Tube-Ø 38 mm

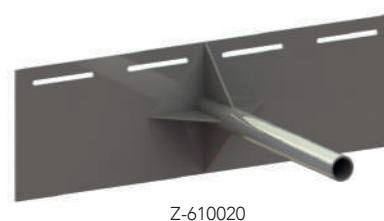
Article no.	Length	Weight
Z-610012 with wedge coupling, adjustable	60 cm	2.5 kg
Z-610013 with screw coupling, adjustable	60 cm	2.1 kg
Z-610014 with wedge coupling, non-adjustable	30 cm	2.5 kg



Flat roof bracket for metal facade

- Made of solid aluminium
- Tube Ø 48.3 mm
- Slot width 15 mm

Article no.	Length	Width	Height	Weight
Z-610020	80 cm	25 cm	50 cm	3.70 kg



MATO Pro anti-fall protection

Roof walkway protection.

A wide range of walkway panels for compatible systems is also available

Mesh panels for edge protection

- Made of aluminium
- With integrated toe board function

MATO 1

Article no.	Length	Weight
1-134070	70 cm	4.9 kg
1-134100	100 cm	6.5 kg
*1-134125	125 cm	8.0 kg
1-134150	150 cm	9.4 kg
1-134200	200 cm	13.1 kg
1-134250	250 cm	16.0 kg
1-134300	300 cm	19.8 kg

MATO 2

Article no.	Length	Weight
2-134065	65 cm	4.3 kg
2-134100	100 cm	6.2 kg
*2-134125	125 cm	7.5 kg
2-134150	150 cm	8.6 kg
2-134200	200 cm	12.4 kg
2-134250	250 cm	15.1 kg
2-134300	300 cm	18.0 kg

MATO 3

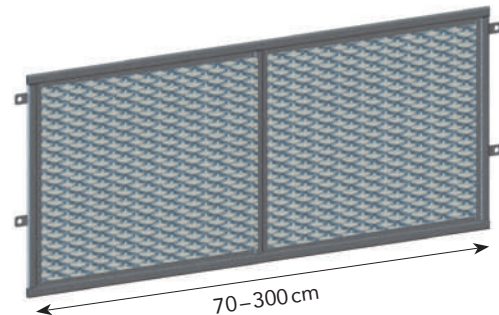
- Powder coating upon request

Article no.	Length	Height	Weight
3-134075	75 cm	100 cm	5.0 kg
3-134100	100 cm	100 cm	6.3 kg
3-134125	125 cm	100 cm	7.7 kg
3-134150	150 cm	100 cm	9.1 kg
3-134175	175 cm	100 cm	10.4 kg
3-134200	200 cm	100 cm	12.5 kg
3-134225	225 cm	100 cm	14.0 kg
3-134250	250 cm	100 cm	15.4 kg
3-134300	300 cm	100 cm	18.8 kg

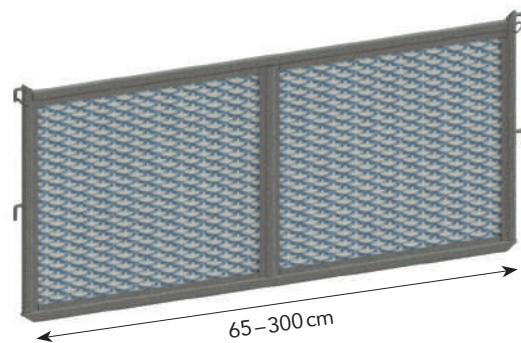
* Delivery time: about 6 weeks

Benefits

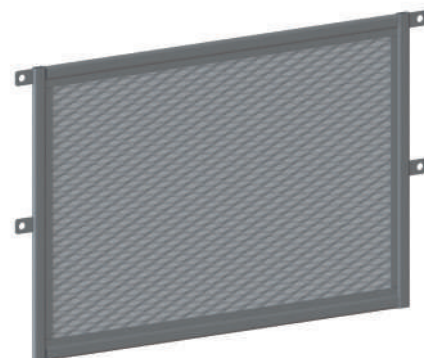
- Very fast and simple assembly without nets
- Maximum safety according to Swiss SUVA provisions no. 7115.d
- Made of high-quality aluminium
- Powder coating upon request



1-134200



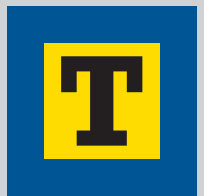
2-134200



3-134075 - 3-134300

MATO S Safety accessories

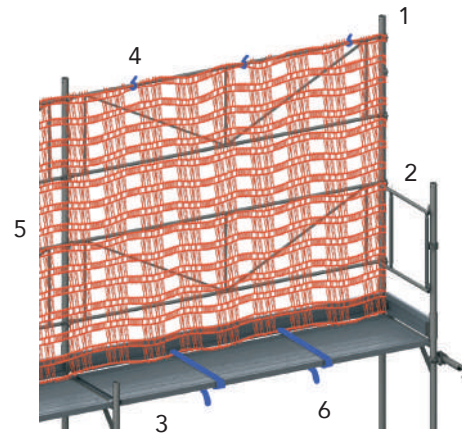
Roof walkway protection.



Roof walkway net type 200 T

Our safety net made of heavy-duty polyethylene is not only the fastest and therefore the most efficient solution on the market, it also guarantees SUVA-tested safety. No tubes are required above the toe boards for the assembly.

Our walkway net has passed the dynamic test **SN EN 13374** (SUVA provisions 6971.d).



- 1 Guardrail post
- 2 End guardrail
- 3 Toe board
- 4 Net attachment
- 5 Walkway net
- 6 Strap

Roof walkway net

Article no.	Dimensions	Weight
S-735008	2 × 8 m	3.4 kg
S-735013	2 × 13 m	5.5 kg
S-735025	2 × 25 m	12.4 kg



Strap tie

- 3 units required per rail

Article no.	Length
S-750030	35 cm



- For walkway net

Article no.	Length
S-750160	160 cm



S-750030

Roof access

Alternatives from our product range.

MATOR Profi Rolling scaffolding

- The high-end aluminium scaffolding
- Comfortable width 150 cm
- Variable length
- Leading assembly
- Column-free in every position
- Extendable to any side
- Compatible with MATO3 and MATO8 Modular scaffolding
- Assembly with frame and upright variants possible



MATOR Pro Rolling scaffolding

- Width 70 cm or 135 cm
- Lengths 190 cm, 250 cm and 305 cm
- Extreme stability thanks to folding structural frame
- Plug-in system – can be assembled without tools
- Closed work surface thanks to hatch cover
- Maximum safety, certified according to EN 1001 2005/EN 1298 1996



MATOR Eco Rolling scaffolding

- The most economical rolling scaffolding from the Tobler Group
- Width 75 cm and 150 cm
- Bay length 250 cm
- Extremely light
- Plug-in system – can be assembled without tools
- Closed work surface thanks to hatch covering
- Lightweight plywood decking



Mission statement

Efficiency. Flexibility. Security.



Mission statement

Together we implement solutions that are centred around the customer and their success.

We support you as a reliable partner for all matters relating to scaffolding and formwork assembly, and develop customer-specific solutions – from planning through engineering to production.

As an innovative full-service provider, we think ahead. We carry our philosophy of efficient, flexible and safe construction further into the industry.

With our products you can rely on excellent functionality and the highest production quality.



Swiss Engineering.
Swiss Technology.








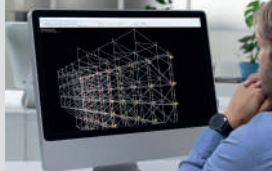


MATO 2 Stair tower

- Maximum safety EN 12810/12811
- DIBt – Certification No. Z-8.1-937
- Weight and handling advantages during transportation and storage
- Modularity: connections in four spatial directions
- Quick assembly

MATO Scaffoldings

Efficiency. Flexibility. Safety.

Facade scaffoldings	MATO 1 MATO 2	MATO 53 CK compatible with your existing scaffolding MATO 54 Lay MATO 62 Ple MATO 65 Hün	
All-in-one scaffolding system	MATO 3 MATO 8	MATO Connect Road Bridge MATO Connect Bridge Beam	
Roof systems	MATO Pro	MATO Pro Anti-fall protection MATO Pro Temporary roof systems MATO Pro Walkway roofing	
Mobile scaffoldings	MATO R	MATO R Profi MATO R Pro MATO R One Man Tower MATO R Eco	
Work scaffolding on construction sites	MATO T	MATO T Stair towers MATO T Cable bridges MATO T Ramps for site access MATO T Scaffoldings for Concreting and Reinforcement	
Events	MATO E	MATO E Stages & Tribunes MATO E Event-Service/Support MATO E R & D	
Accessories	MATO Z	MATO Z Scaffolding accessories MATO S Safety accessories MATO B Construction devices Tobler Logistics	
Storage solutions	Tobler Storage	Tobler Cantilever Shelving Tobler Pallet Shelving Tobler Floor Special Shelving Tobler Lattice boxes / Steel boxes Tobler Pallets and Racks	
Services	Tobler Services	R & D / Static calculations / CAD / Trainings / Customer solutions / Customized Solutions / Finance and Consulting Second hand / Trade-in old for new	

Tobler Formwork

The joy of industrial construction.



<p>Wall formwork</p>	<p>Tobler Wall</p>	<p>Tobler Top Tobler Manu Master Pro (Ringer) Master steel/ alu (Ringer) System 2000 steel/ alu (Ringer)</p>	
<p>Slab formwork</p>	<p>Tobler Sky</p>	<p>Tobler Deck Tobler Desk Slab Table / Kart Tobler Flex AluDEK (Ringer) DEKplus Slab Table (Ringer)</p>	
<p>Individual formwork</p>	<p>Tobler I</p>	<p>Tobler Rex Girder wall formwork Tobler Varia Circular formwork Tobler Project Special formwork</p>	
<p>Shoring systems</p>	<p>Tobler H</p>	<p>Tobler Tower Heavy-Duty Props Tobler T22 Load-bearing system</p>	
<p>Work scaffolding on construction sites</p>	<p>MATO T</p>	<p>MATO T Reinforcement scaffolding MATO T Ramps for site access, MATO T Towers / Cable bridges MATO R Pro / Eco MATO R One Man Tower</p>	
<p>Engineering</p>	<p>Tobler Kit</p>	<p>MATO 3 MATO 8 MATO Connect Road Bridge MATO Connect Bridge Beam</p>	
<p>Accessories</p>	<p>Tobler Accessories</p>	<p>Tobler Formwork accessories Tobler Construction devices Tobler Logistics Tobler Storage solutions</p>	
<p>Services</p>	<p>Tobler Services</p>	<p>Tobler Rent Tobler ForU Tobler Care Tobler Revalued</p>	
<p>Digital services</p>	<p>my Tobler</p>	<p>Tobler Formwork planner Tobler Engineering</p>	



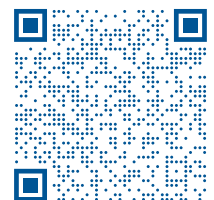
At home in Switzerland – anchored in Europe

We are developing the internationalisation
of our product range.



**Order &
advice**
bestellung@tobler-ag.com
+41 71 886 06 06

Order online



« With MATOPro anti-fall protection,
you benefit from our core expertise in
aluminium. Fewer and lighter components
mean significantly shorter assembly time –
saving you money every day. »



Mario Page
Director Export
International
Formwork & Scaffolding

