



Tobler[®]

MATO 3 All-in-one scaffolding system

2023



CE
0769



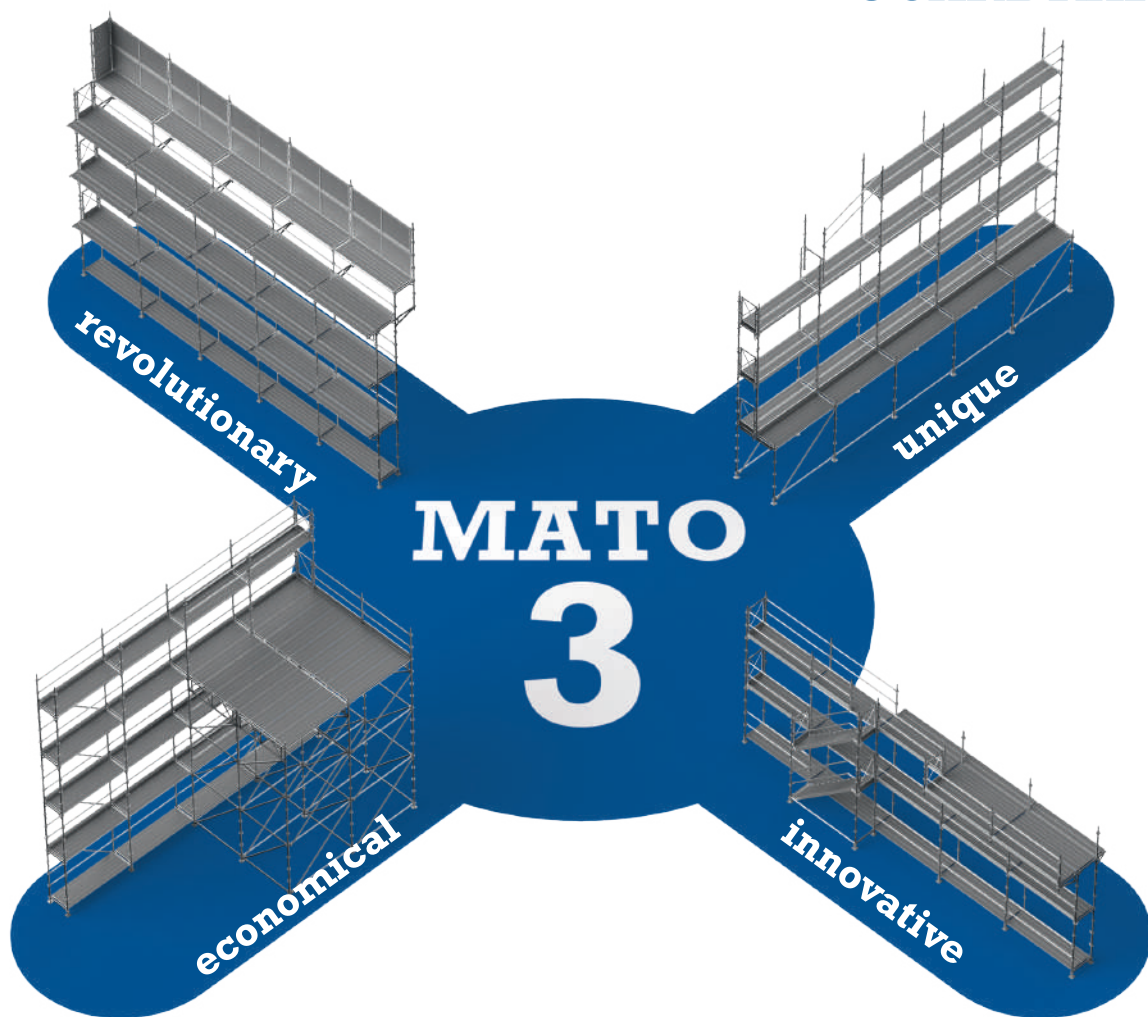
Swiss Engineering.
Swiss Technology.

MATO 3 All-in-one scaffolding system

Innovation by Tobler.

**WITHOUT
COUPLING**

**INTEGRATED
LEADING
GUARDRAIL**



**MODULE
CONNECTION**

GAP-FREE



Products marked with a tick are certified by the German Institute for Building Technology (DIBt). Products marked with an arrow are in the approval process at the time of printing the catalogue. We will be happy to inform you whether approval has since been granted.



MATO 3 All-in-one scaffolding system

Ingenious interaction – Limitless applications



Your advantages at a glance

- Unique system-integrated leading guardrail
- Gap-free from main platform to bracket platform
- Without coupling: Fast and flawless assembly / disassembly
- Round-tube support
- Maximum safety EN 12810/12811
- DIBt registered
- Compatibility with the modular scaffolding system provides limitless options for extension
- Platforms with improved slip-resistance and integrated tilt protection



MATO 3 All-in-one scaffolding system

A system built on intelligent components.



MATO 3 All-in-one scaffolding system

Best quality for your scaffolding from A to Z.



Scaffolding frame	12–13
Guardrail posts	14
Braces	15
Waler	16
Leading end guardrail	18
Catwalk panel	19
Vertical diagonal braces	20–21
Brackets	22–23
All platforms with certified catwalk	24–28
Toe board	29
Stairs	30–31
Weather protection	32–33
<hr/>	
360° competence for your scaffolding	34
Innovation since 1995	35
Tested safety	36
Experiencing service quality	37
Tobler Warehouse – Organize more efficiently	38–39
Tobler Trading – Buying at a reasonable price	40–45
Tobler’s mission statement	46
Tobler’s products	47

MATO 3 All-in-one scaffolding system

Innovation by Tobler.

⊕ System-integrated leading guardrail

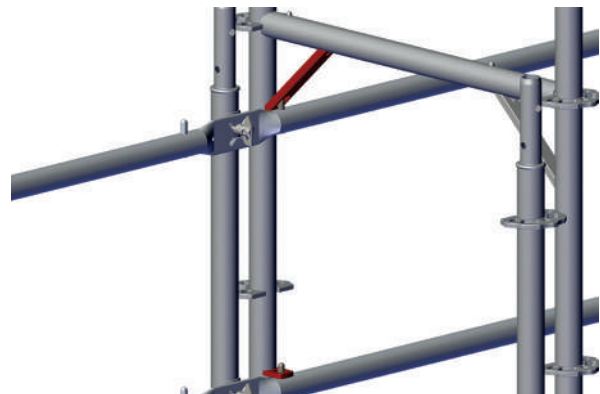
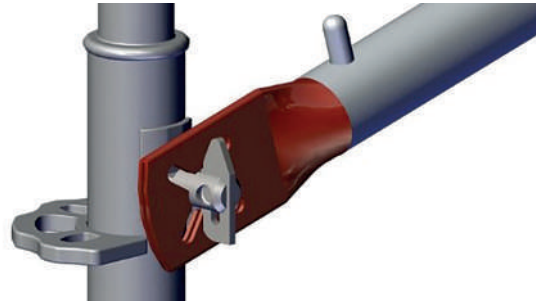
With its leading fall protection, MATO3 offers maximum safety during assembly and disassembly – without the need for additional scaffolding components.

- ▶ System-integrated leading guardrail without additional components
- ▶ Safe and easy for just one person to assemble
- ▶ Maximum safety due to minimal exertion of force

The sophisticated X-design in the aluminium railing brace allows for easy and quick leading installation of the guardrail from the secured platform to the next-higher level.

Two fixtures are integrated into the frame for the installation. The frame for fastening the next-level railing braces can therefore be stored safely on the railing braces of the current level.

Once the braces have been mounted, the frame and the railing braces are installed on the frame below in an ergonomically optimized manner.



MATO 3 All-in-one scaffolding system

Ingenious interaction – Limitless applications.



⊕ Leading installation of staircase towers

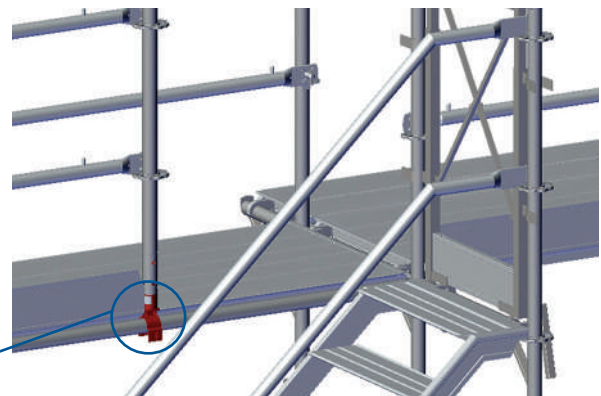
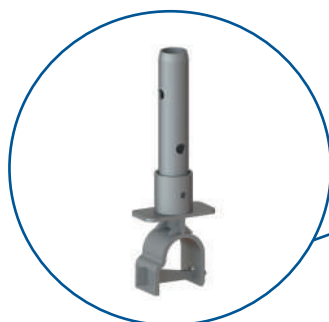
Just like the guardrails, MATO3 allows for the leading installation of complete staircase towers.

The focus here is once again on simple, ergonomic assembly from the level below.

- ▶ Simple assembly for maximum safety
- ▶ Ergonomic mounting
- ▶ Smart add-on components



MATO3 offers smart add-on components for custom solutions. One example is the pole adapter that works with all poles.



MATO 3 All-in-one scaffolding system

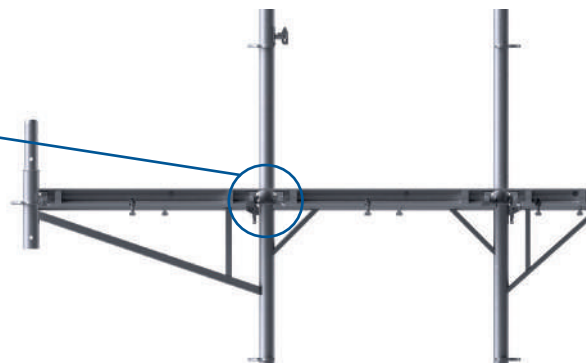
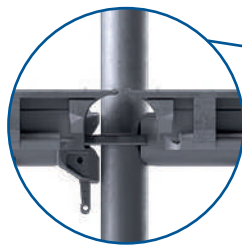
Innovation by Tobler.

⊕ Gap-free scaffolding

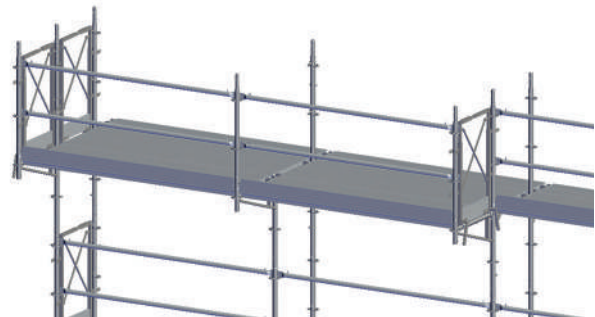
The gap-free MATO3 platforms are an absolute novelty in scaffolding.

Each platform is designed to ensure that the edge profiles extend axially beyond the walers to form an integral, gap-free plane.

- ▶ Complete coverage of the working area
- ▶ Continuous, level surfaces
- ▶ Increased safety – trip hazards are avoided
- ▶ Gap-free from main platform to bracket platform



This eliminates the risk of tripping between the main platform and the bracket platform.



The gap-free design is especially advantageous for larger surfaces. Not only does it protect the lower levels from soiling, it facilitates materials storage and even allows for robots to manoeuvre on the scaffolding. MATO3 addresses countless use cases where slip-free surfaces are essential.



MATO 3 All-in-one scaffolding system

Ingenious interaction – Limitless applications

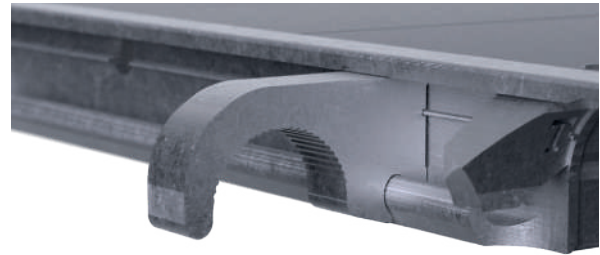


⊕ MATO 3 platforms

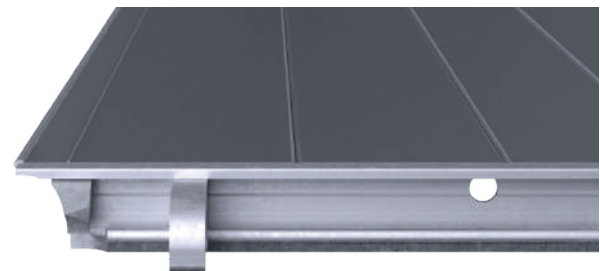
MATO3 platforms are very stiff. Despite their relatively large size, they are light and easy to handle.

- ▶ Round tube support – the rest is garnish
- ▶ Surfaces with better slip resistance and integrated tilt protection devices
- ▶ A metric system grid allows for flexible extension from rectangle to square
- ▶ Unlimited platform combinations

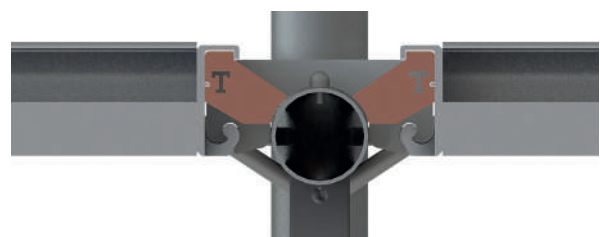
The round-tube support offers myriad options for assembling the platforms. The lateral offset saves space in length.



Due to an innovative production process, the platform surfaces are extremely slip-resistant. The platforms are also particularly easy to clean.



All platforms are equipped with integrated tilt protection devices to ensure that they are always safely connected to the components used.



MATO 3 All-in-one scaffolding system

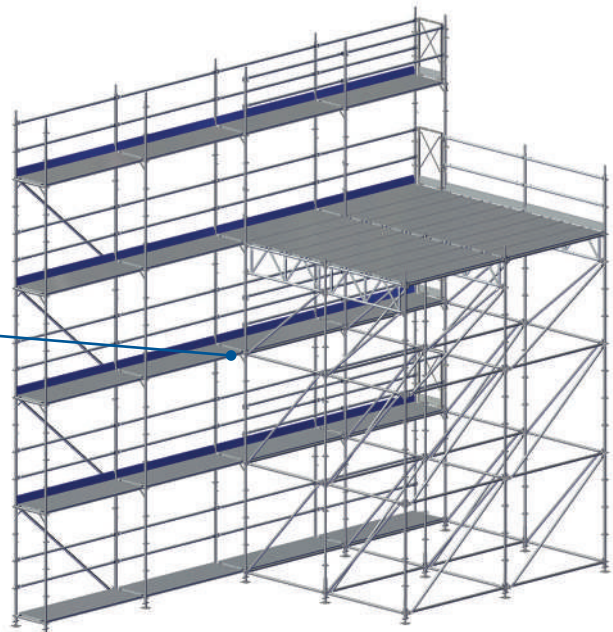
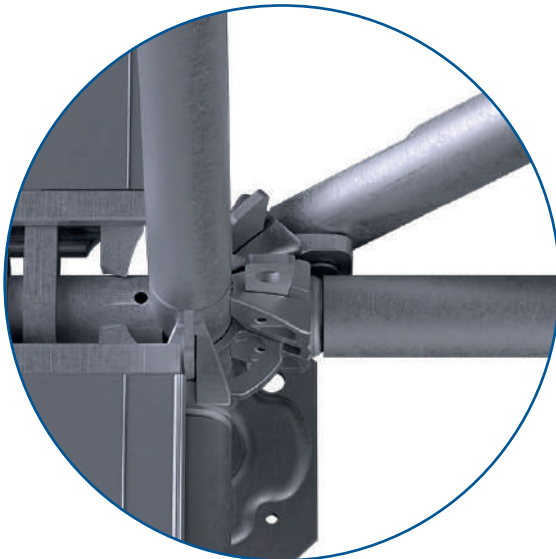
Innovation by Tobler.

⊕ Module connection

MATO3 combines the capabilities of quick façade scaffolding with the advantages of a modular system. The ingenious connection technology using the tapered key system allows for a scaffolding structure that can be freely defined.

- ▶ Fully compatible with modular scaffolding systems
- ▶ The advantages of the different scaffolding types add up
- ▶ Maximum, nearly unlimited, flexibility and adaptability

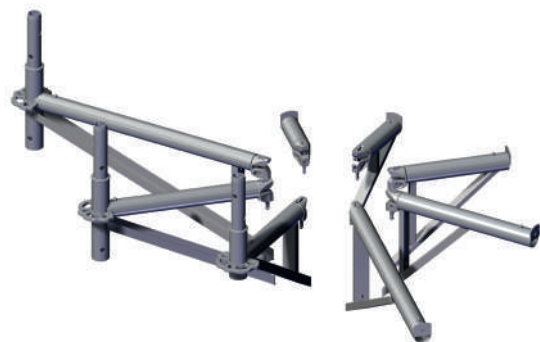
Shown here is a MATO3 all-in-one scaffolding system in combination with a MATO8 modular scaffolding system.



MATO3

MATO8

The MATO3 brackets are compatible with all MATO8 modular scaffolding poles.



MATO 3 All-in-one scaffolding system

Ingenious interaction – Limitless applications

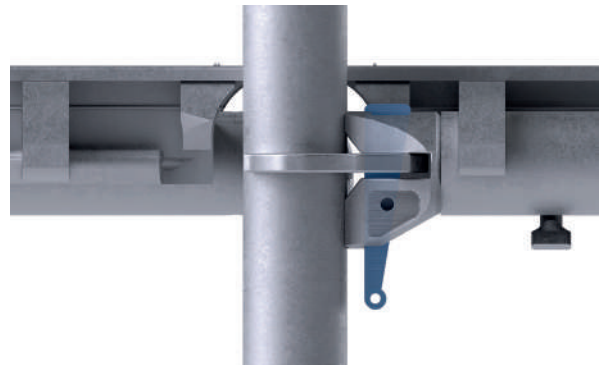


+ Without coupling

MATO 3 allows for quick and flawless assembly. The system does not require any couplings.

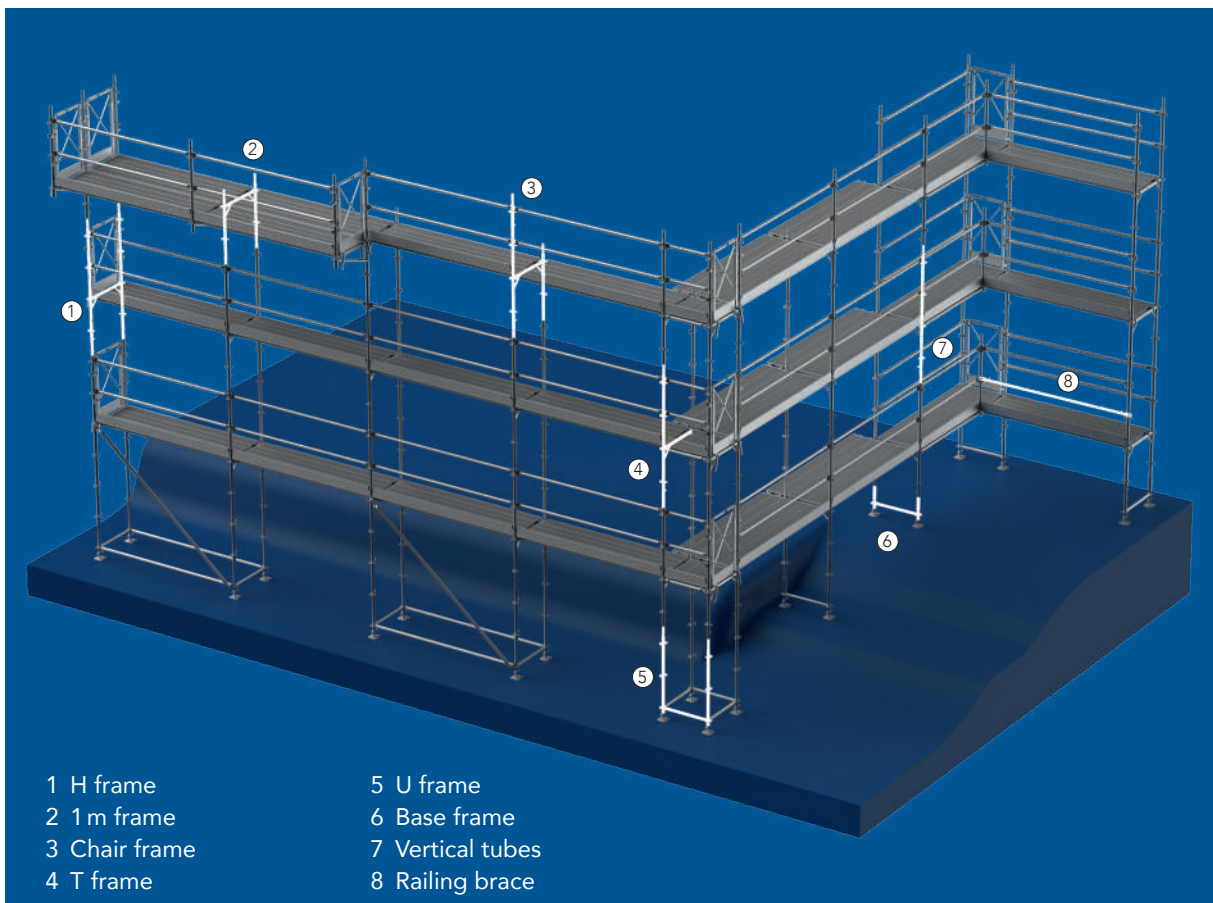
The ingenious connection technology using the tapered key system allows for a scaffolding structure that can be freely defined.

► The tapered key system ensures quick and safe assembly/disassembly without the need for threaded fasteners.



+ System components

The system components can be used for special scaffolding and even for event applications.



MATO 3 All-in-one scaffolding system

Scaffolding frame.

Basic pole

- Made of steel
- Tube diameter 48,3mm

Article no.	Length	Weight	Wall thickness
3-210050	50 cm	2,8 kg	2,7 mm



3-210050

Vertical pole

- Made of steel
- Tube diameter 48,3mm

Article no.	Length	Weight	Wall thickness
3-210200	200 cm	7,4 kg	2,7 mm

- Vertical pole, without pin

Article no.	Length	Weight	Wall thickness
3-213200	200 cm	7,1 kg	2,7 mm



3-210200



3-213200

H frame

- Made of steel
- Tube diameter 48,3mm

Article no.	Width	Height	Weight	Wall thickness
3-211200	75 cm	200 cm	15,9 kg	2,7 mm



3-211200

1 m frame

- Made of steel
- Tube diameter 48,3mm

Article no.	Width	Height	Weight	Wall thickness
3-211100	75 cm	100 cm	9,8 kg	2,7 mm



3-211100

MATO 3 All-in-one scaffolding system

Scaffolding frame.



Chair frame

- Made of steel
- Tube diameter 48,3mm

Article no.	Width	Height	Weight	Wall thickness
3-212200	75 cm	200 cm	14,1 kg	2,7 mm



3-212200

T frame

- Made of steel
- Tube diameter 48,3mm

Article no.	Width	Height	Weight	Wall thickness
3-222200	75 cm	200 cm	10,0 kg	2,7 mm

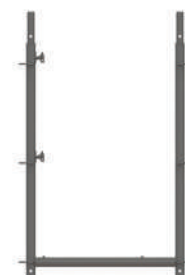


3-222200

U frame

- Made of steel
- Tube diameter 48,3mm

Article no.	Width	Height	Weight	Wall thickness
3-211120	75 cm	120 cm	10,6 kg	2,7 mm



3-211120

Base frame

- Made of steel
- Tube diameter 48,3mm

Article no.	Width	Height	Weight	Wall thickness
3-216075	75 cm	35 cm	5,5 kg	2,7 mm



3-216075

MATO 3 All-in-one scaffolding system

Guardrail posts.

Guardrail post

- Made of steel
- Tube diameter 48,3mm

Article no.	Height	Weight	Wall thickness
3-224100	100cm	3,9kg	2,7mm
3-224200	200cm	7,5kg	2,7mm



3-224100



3-224200

Corner post

- Made of steel
- Tube diameter 48,3mm

Article no.	Height	Weight	Wall thickness
3-223100	100cm	4,0kg	2,7mm



3-223100

Inside guardrail pin

- Made of steel

Article no.	Weight
3-550010	0,2kg



3-550010

MATO 3 All-in-one scaffolding system

Braces.



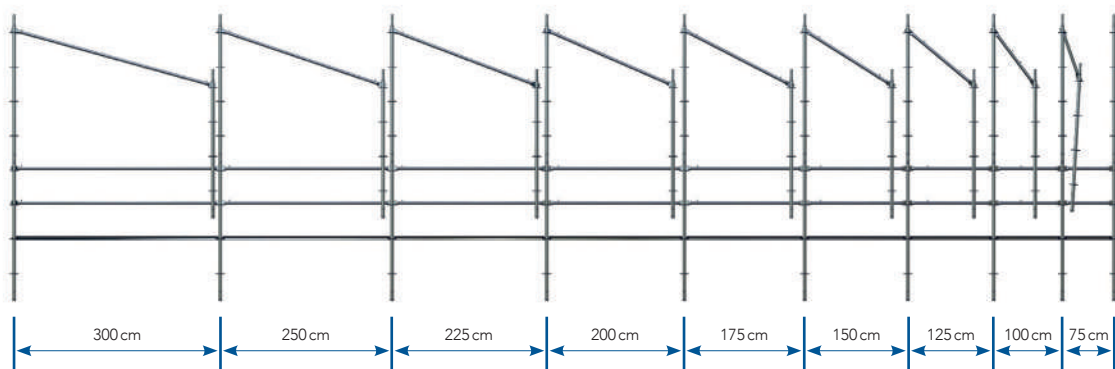
Railing brace

- Made of aluminium

Article no.	Length	Weight
3-131075	75 cm	0,7 kg
3-131100	100 cm	1,0 kg
3-131125	125 cm	1,3 kg
3-131150	150 cm	1,6 kg
3-131175	175 cm	1,8 kg
3-131200	200 cm	2,0 kg
3-131225	225 cm	2,3 kg
3-131250	250 cm	2,6 kg
3-131300	300 cm	3,1 kg
3-131350	350 cm	3,6 kg
3-131400	400 cm	4,0 kg



3-131...



Bracket brace

- Made of steel

Article no.	Size	Weight
3-264200	75 × 200 cm	6,9 kg



3-264200

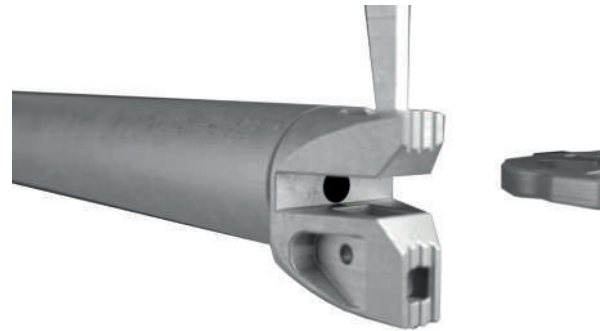
MATO 3 All-in-one scaffolding system

Extras for additional safety and flexibility.

Waler

- Made of steel
- For platform support in intermediate heights
- Suspension-mounted (requires safety pins)
- With 33,0mm tube diameter

Article no.	Length	Weight
3-220050	50 cm	2,0kg
3-220075	75 cm	2,8kg
3-220100	100 cm	3,6 kg
3-220125	125 cm	4,2 kg
3-220150	150 cm	5,0 kg
3-220175	175 cm	5,7 kg
3-220200	200 cm	6,4 kg
3-220225	225 cm	7,2 kg
3-220250	250 cm	7,8 kg
3-220300	300 cm	9,3 kg
3-220350	350 cm	12,8 kg
3-220400	400 cm	14,7 kg



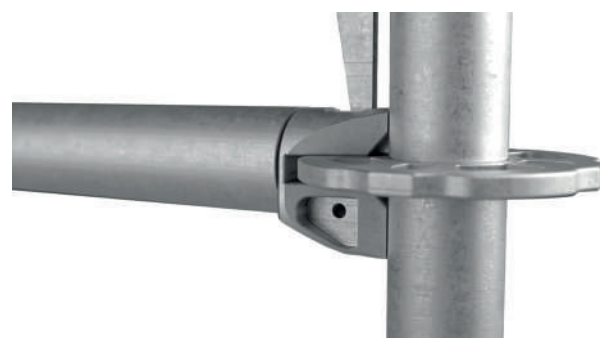
3-220...

- Made of aluminium
- For platform support in intermediate heights

Article no.	Length	Weight
3-121050	50 cm	1,6kg
3-121075	75 cm	1,9kg
3-121100	100 cm	2,2 kg
3-121125	125 cm	2,6 kg
3-121150	150 cm	3,0 kg
3-121175	175 cm	3,4 kg
3-121200	200 cm	3,7 kg
3-121225	225 cm	4,0 kg
3-121250	250 cm	4,4 kg
3-121300	300 cm	5,1 kg



3-121...



MATO 3 All-in-one scaffolding system

Ingenious interaction – Limitless applications



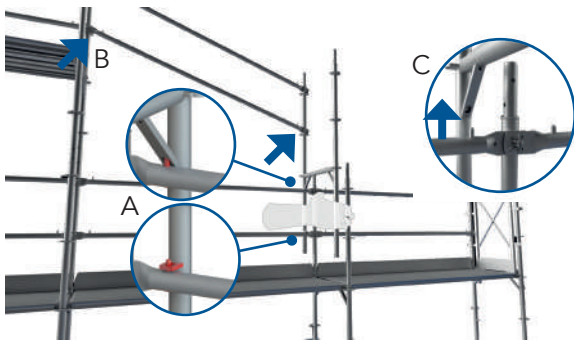
⊕ Pole vs frame variant – A comparison

- ▶ Assembling the frame variant takes significantly less time because there is no locking. A frame rack is available for transport and storage.
- ▶ The two variants can be combined.

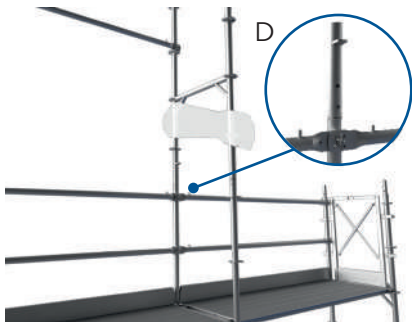
- ▶ The pole variant has only few individual components and the scaffolding width can be freely selected. It can be used anywhere, including for support scaffolding, and offers maximum flexibility for assembly. The handling of components and their storage in open, stackable boxes are a plus.

Assembly of integrated leading guardrail Frame variant

1. Once the H frame has been mounted in the two lower railing braces (A), the upper railing braces (B) are hooked in and the H frame and the upper railing braces (C) are lifted.



2. The H frame is mounted with the upper railing braces (D).



Assembly of integrated leading guardrail Pole variant

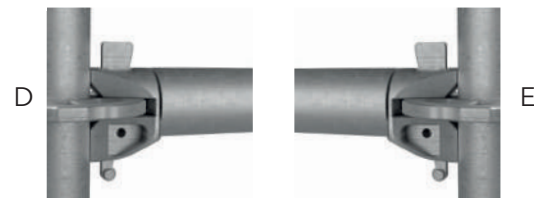
1. Once the upper railing braces have been connected (A) with the vertical pole(s), the first pole is mounted on the vertical pole (B) below it.



2. A safety pin is installed to secure the system and the second vertical pole (C) is mounted.



3. Both sides are then locked (D, E).



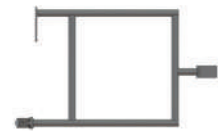
MATO 3 All-in-one scaffolding system

Leading end guardrail.

End guardrail

- Made of aluminium
- with "HK"

Article no.	Width	Height	Weight
3-140075	75 cm	47 cm	2,1 kg

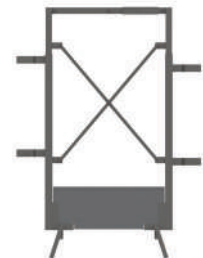


3-140075

Leading end guardrail

- Made of steel
- Leading, foldable

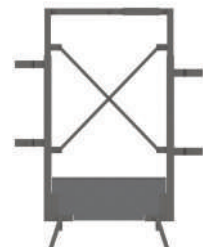
Article no.	Width	Height	Weight
3-243075	75 cm	105 cm	8,9 kg



3-243075

- Made of steel
- Leading, for catwalk

Article no.	Width	Height	Weight
3-242075	75 cm	100 cm	8,6 kg



3-242075

MATO 3 All-in-one scaffolding system

Smart solution for catwalks.



Corner catwalk panel

- Made of aluminium
- With toe board
- Powder coating upon request

Article no.	Length	Height	Weight
3-135075	75 cm	100 cm	4,9 kg



3-135075

Catwalk panel

- Made of aluminium
- With toe board
- Powder coating upon request

Article no.	Length	Height	Weight
3-134075	75 cm	100 cm	5,0 kg
3-134100	100 cm	100 cm	6,3 kg
3-134125	125 cm	100 cm	7,7 kg
3-134150	150 cm	100 cm	9,1 kg
3-134175	175 cm	100 cm	10,4 kg
3-134200	200 cm	100 cm	12,5 kg
3-134225	225 cm	100 cm	14,0 kg
3-134250	250 cm	100 cm	15,4 kg
3-134300	300 cm	100 cm	18,8 kg



3-134...

Gap-free and leading catwalks are also a given with the MATO3 system.

The different frames allow for various solutions for the catwalk layout. The image shows an example of a possible combination. The right solution for each customer.

Application example



MATO 3 All-in-one scaffolding system

Vertical diagonal braces.

Vertical diagonal brace

- Made of steel

Article no.	Height	Width	Weight
8-225050	200 cm	50 cm	7,2 kg
8-225075	200 cm	75 cm	7,4 kg
8-225100	200 cm	100 cm	7,6 kg
8-225125	200 cm	125 cm	8,0 kg
8-225150	200 cm	150 cm	8,3 kg
8-225200	200 cm	200 cm	9,2 kg
8-225225	200 cm	225 cm	9,7 kg
8-225250	200 cm	250 cm	10,2 kg
8-225300	200 cm	300 cm	11,4 kg
8-226050	150 cm	50 cm	5,8 kg
8-226075	150 cm	75 cm	6,0 kg
8-226100	150 cm	100 cm	6,3 kg
8-226125	150 cm	125 cm	6,7 kg
8-226150	150 cm	150 cm	7,6 kg
8-226200	150 cm	200 cm	8,2 kg
8-226225	150 cm	225 cm	8,8 kg
8-226250	150 cm	250 cm	9,4 kg
8-226300	150 cm	300 cm	10,6 kg
8-227050	100 cm	50 cm	4,5 kg
8-227075	100 cm	75 cm	4,7 kg
8-227100	100 cm	100 cm	5,1 kg
8-227125	100 cm	125 cm	5,6 kg
8-227150	100 cm	150 cm	6,1 kg
8-227200	100 cm	200 cm	7,4 kg
8-227225	100 cm	225 cm	8,0 kg
8-227250	100 cm	250 cm	8,7 kg
8-227300	100 cm	300 cm	10,0 kg
8-228050	50 cm	50 cm	3,1 kg
8-228075	50 cm	75 cm	3,5 kg
8-228100	50 cm	100 cm	4,2 kg
8-228125	50 cm	125 cm	4,7 kg
8-228150	50 cm	150 cm	5,5 kg
8-228200	50 cm	200 cm	6,9 kg
8-228225	50 cm	225 cm	7,6 kg
8-228250	50 cm	250 cm	8,2 kg
8-228300	50 cm	300 cm	9,7 kg



8-225...

MATO 3 All-in-one scaffolding system

Vertical diagonal braces.



Vertical diagonal brace

- Made of aluminium, with steel head

Article no.	Height	Width	Weight
8-125050	200cm	50cm	3,3kg
8-125075	200cm	75cm	3,4kg
8-125100	200cm	100cm	3,5kg
8-125125	200cm	125cm	3,6kg
8-125150	200cm	150cm	3,8kg
8-125200	200cm	200cm	4,0kg
8-125225	200cm	225cm	4,2kg
8-125250	200cm	250cm	4,4kg
8-125300	200cm	300cm	4,7kg
8-126050	150cm	50cm	2,8kg
8-126075	150cm	75cm	2,9kg
8-126100	150cm	100cm	3,1kg
8-126125	150cm	125cm	3,2kg
8-126150	150cm	150cm	3,3kg
8-126200	150cm	200cm	3,7kg
8-126225	150cm	225cm	3,9kg
8-126250	150cm	250cm	4,1kg
8-126300	150cm	300cm	4,5kg
8-127050	100cm	50cm	2,4kg
8-127075	100cm	75cm	2,5kg
8-127100	100cm	100cm	2,6kg
8-127125	100cm	125cm	2,7kg
8-127150	100cm	150cm	3,0kg
8-127200	100cm	200cm	3,4kg
8-127225	100cm	225cm	3,6kg
8-127250	100cm	250cm	3,9kg
8-127300	100cm	300cm	4,4kg
8-128050	50cm	50cm	1,9kg
8-128075	50cm	75cm	2,2kg
8-128100	50cm	100cm	2,4kg
8-128125	50cm	125cm	2,5kg
8-128150	50cm	150cm	2,7kg
8-128200	50cm	200cm	3,2kg
8-128225	50cm	225cm	3,5kg
8-128250	50cm	250cm	3,7kg
8-128300	50cm	300cm	4,2kg



8-125...

MATO 3 All-in-one scaffolding system

Brackets.

Outer bracket

- Made of steel
- With push-on pin

Article no.	Length	Weight
3-250037	37,5 cm	3,3kg
3-250050	50 cm	4,1kg
3-250075	75 cm	5,2kg
3-250100	100 cm	6,0kg



Inside bracket

- Made of steel

Article no.	Length	Weight
3-256018	18 cm	0,8kg
3-256025	25 cm	1,3kg
3-256037	37,5 cm	2,0kg
3-256050	50 cm	2,5kg
3-256075	75 cm	4,2kg



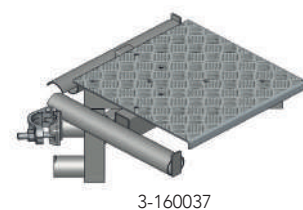
Inside corner bracket

- Bracket made of alluminin aluminium with platform made of steel

Article no.	Length	Width	Weight
3-260018	18 cm	18 cm	3,0kg
3-260025	25 cm	25 cm	4,1kg
3-260037	37,5 cm	37,5 cm	6,3kg

- with coupler

Article no.	Length	Width	Weight
3-160037	37,5 cm	37,5 cm	7,1kg
3-160075	75 cm	75 cm	7,5kg



MATO 3 All-in-one scaffolding system



Brackets.

Protective canopy bracket

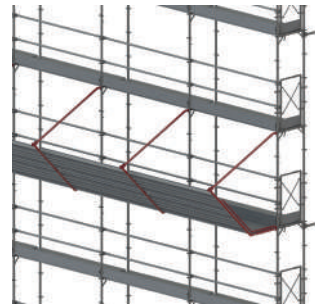
- For protecting passers-by
- Set: Protective canopy bracket incl. mounting
- With platform groove
- Made of steel, diameter 48,3 × 2,7 mm

Article no.	Length	Width	Weight
3-265150S	150cm	200cm	10,7kg



3-265150S

Application example



Adapter for waler

- Made of steel
- Adapter for waler

Article no.	Weight
3-550020	1,1 kg



3-550020

Adapter for railing brace

- Made of steel

Article no.	Weight
3-550045	0,8kg



3-550045

Platform support

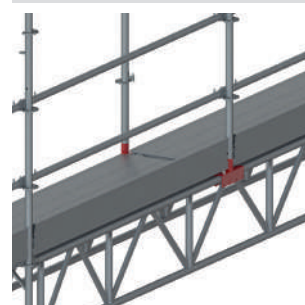
- Made of steel

Article no.	Length	Weight
3-550075	75 cm	4,6 kg



3-550075

Application example



MATO 3 All-in-one scaffolding system

All platforms with certified catwalk.

Aluminium platform

- Up to 600 kg/m²
- Platform height 21 mm, with wind protection

Article no.	Length	Width	Weight	Load capacity
3-120075	75 cm	75 cm	6,9 kg	600 kg/m ²
3-120100	100 cm	75 cm	8,8 kg	600 kg/m ²
3-120125	125 cm	75 cm	10,7 kg	600 kg/m ²
3-120150	150 cm	75 cm	12,6 kg	600 kg/m ²
3-120175	175 cm	75 cm	14,4 kg	600 kg/m ²
3-120200	200 cm	75 cm	16,3 kg	600 kg/m ²
3-120225	225 cm	75 cm	18,2 kg	450 kg/m ²
3-120250	250 cm	75 cm	20,0 kg	450 kg/m ²
3-120300	300 cm	75 cm	23,8 kg	300 kg/m ²



3-120...

- Up to 600 kg/m²
- Platform height 21 mm, with wind protection

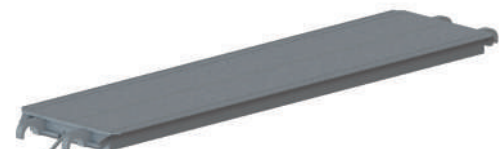
Article no.	Length	Width	Weight	Load capacity
3-115075	75 cm	50 cm	4,8 kg	600 kg/m ²
3-115100	100 cm	50 cm	6,1 kg	600 kg/m ²
3-115125	125 cm	50 cm	7,4 kg	600 kg/m ²
3-115150	150 cm	50 cm	8,6 kg	600 kg/m ²
3-115175	175 cm	50 cm	10,0 kg	600 kg/m ²
3-115200	200 cm	50 cm	11,2 kg	600 kg/m ²
3-115225	225 cm	50 cm	12,5 kg	450 kg/m ²
3-115250	250 cm	50 cm	13,7 kg	450 kg/m ²
3-115300	300 cm	50 cm	16,3 kg	300 kg/m ²



3-115...

- Up to 600 kg/m²
- Platform height 21 mm, with wind protection

Article no.	Length	Width	Weight	Load capacity
3-116075	75 cm	37,5 cm	3,9 kg	600 kg/m ²
3-116100	100 cm	37,5 cm	4,8 kg	600 kg/m ²
3-116125	125 cm	37,5 cm	5,8 kg	600 kg/m ²
3-116150	150 cm	37,5 cm	6,8 kg	600 kg/m ²
3-116175	175 cm	37,5 cm	7,8 kg	600 kg/m ²
3-116200	200 cm	37,5 cm	8,7 kg	600 kg/m ²
3-116225	225 cm	37,5 cm	9,8 kg	450 kg/m ²
3-116250	250 cm	37,5 cm	10,7 kg	450 kg/m ²
3-116300	300 cm	37,5 cm	12,7 kg	300 kg/m ²
3-116350	350 cm	37,5 cm	14,7 kg	200 kg/m ²
3-116400	400 cm	37,5 cm	16,7 kg	200 kg/m ²



3-116...

MATO 3 All-in-one scaffolding system

All platforms with certified catwalk.



Aluminium platform

- Up to 600kg/m²
- Platform height 18,5mm, with wind protection

Article no.	Length	Width	Weight	Load capacity
3-119075	75 cm	25 cm	2,8kg	600kg/m ²
3-119100	100 cm	25 cm	3,5kg	600kg/m ²
3-119125	125 cm	25 cm	4,2kg	600kg/m ²
3-119150	150 cm	25 cm	4,8kg	600kg/m ²
3-119175	175 cm	25 cm	5,5kg	600kg/m ²
3-119200	200 cm	25 cm	6,2kg	600kg/m ²
3-119225	225 cm	25 cm	6,8kg	450kg/m ²
3-119250	250 cm	25 cm	7,5kg	450kg/m ²
3-119300	300 cm	25 cm	8,9kg	300kg/m ²
3-119350	350 cm	25 cm	10,2kg	200kg/m ²
3-119400	400 cm	25 cm	11,6kg	200kg/m ²



3-119...

- Up to 600kg/m²
- Platform height 18,5mm, with wind protection

Article no.	Length	Width	Weight	Load capacity
3-118075	75 cm	18 cm	2,5kg	600kg/m ²
3-118100	100 cm	18 cm	3,1kg	600kg/m ²
3-118125	125 cm	18 cm	3,8kg	600kg/m ²
3-118150	150 cm	18 cm	4,3kg	600kg/m ²
3-118175	175 cm	18 cm	4,9kg	600kg/m ²
3-118200	200 cm	18 cm	5,6kg	600kg/m ²
3-118225	225 cm	18 cm	6,1kg	450kg/m ²
3-118250	250 cm	18 cm	6,8kg	450kg/m ²
3-118300	300 cm	18 cm	8,0kg	300kg/m ²
3-118350	350 cm	18 cm	9,2kg	200kg/m ²
3-118400	400 cm	18 cm	10,4kg	200kg/m ²



3-118...

MATO 3 All-in-one scaffolding system

All platforms can be perfectly combined.

The big advantage of a metric system

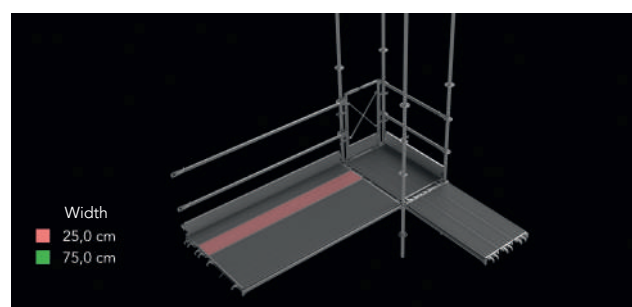
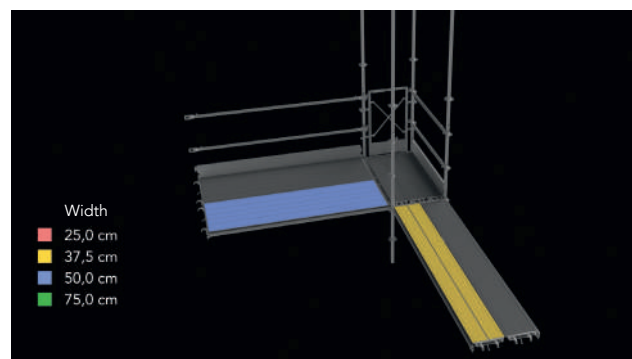
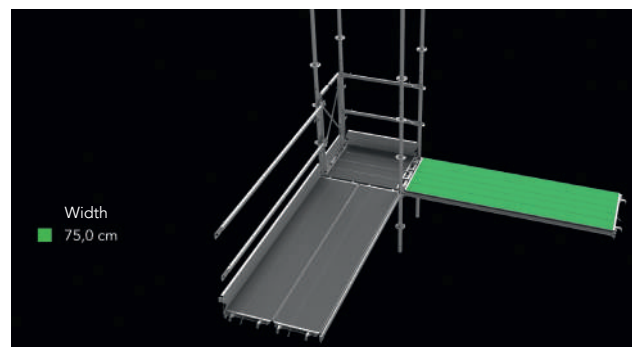
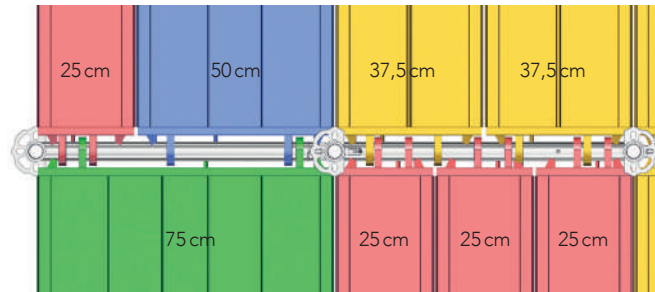
Because the MATO 3 uses a metric system grid, there are no annoying voids. You can variously combine your platforms and switch the width from standard to 1 m at any time.

The MATO 3 has a standard width of 75 cm.

Switch to 50 cm + 25 cm platforms

Switch to 1 m width (pole scaffolding)

As an alternative to the 2x50 cm combination, 75 cm and 25 cm are possible.



MATO 3 All-in-one scaffolding system

All platforms with certified catwalk.



Platform with hatch and ladder Aluminium light

- Up to 200 kg/m²
- Platform height 38 mm, with wind protection

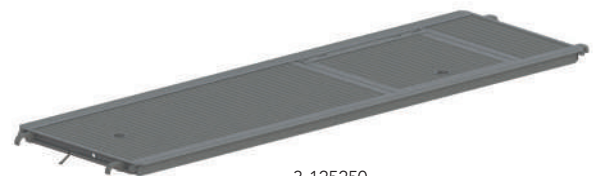
Article no.	Length	Width	Weight	Load capacity
3-125150	150 cm	75 cm	18,6 kg	200 kg/m ²
3-125200	200 cm	75 cm	21,0 kg	200 kg/m ²
3-125250	250 cm	75 cm	21,8 kg	200 kg/m ²
3-125300	300 cm	75 cm	25,0 kg	200 kg/m ²



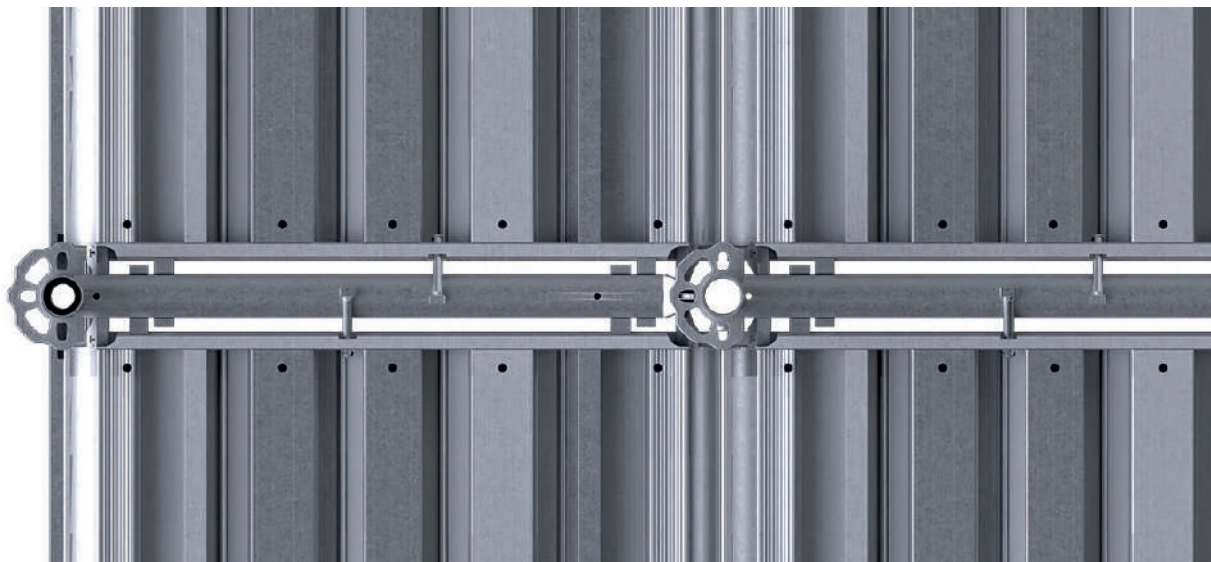
3-125150



3-125200



3-125250



MATO 3 All-in-one scaffolding system

Endless combinations.

Compensation platform

- Made of aluminium
- With wind protection

Article no.	Length	Width	Weight	Load capacity
3-126250	250 cm	37,5 cm	10,8 kg	200 kg/m ²
3-126300	300 cm	37,5 cm	12,8 kg	200 kg/m ²
3-127250	250 cm	25 cm	7,8 kg	200 kg/m ²
3-127300	300 cm	25 cm	9,1 kg	200 kg/m ²



3-126...

- For small corner design

Article no.	Length	Width	Weight	Load capacity
3-126250.1	250 cm	37,5 cm	7,8 kg	200 kg/m ²
3-126300.1	300 cm	37,5 cm	9,8 kg	200 kg/m ²
3-127250.1	250 cm	25 cm	5,8 kg	200 kg/m ²
3-127300.1	300 cm	25 cm	7,1 kg	200 kg/m ²



3-127...

- Compensation platform, left

Article no.	Length	Width	Weight	Load capacity
3-128250	250 cm	18 cm	6,9 kg	200 kg/m ²
3-128300	300 cm	18 cm	8,1 kg	200 kg/m ²

- Compensation platform, left, small corner

Article no.	Length	Width	Weight	Load capacity
3-128250.1	250 cm	18 cm	5,1 kg	200 kg/m ²
3-128300.1	300 cm	18 cm	6,3 kg	200 kg/m ²



3-128...

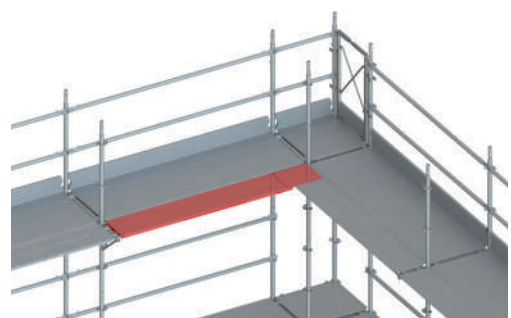
- Compensation platform, right

Article no.	Length	Width	Weight	Load capacity
3-128251	250 cm	18 cm	6,9 kg	200 kg/m ²
3-128301	300 cm	18 cm	8,1 kg	200 kg/m ²

- Compensation platform, right, small corner

Article no.	Length	Width	Weight	Load capacity
3-128251.1	250 cm	18 cm	5,1 kg	200 kg/m ²
3-128301.1	300 cm	18 cm	6,3 kg	200 kg/m ²

Application example



MATO 3 All-in-one scaffolding system



Toe board.

Aluminium toe board

- Made of aluminium, with galvanised steel bracket

Article no.	Length	Height	Weight
3-512050	50 cm	20 cm	1,0 kg
3-512075	75 cm	20 cm	1,4 kg
3-512100	100 cm	20 cm	1,9 kg
3-512125	125 cm	20 cm	2,3 kg
3-512150	150 cm	20 cm	2,8 kg
3-512175	175 cm	20 cm	3,3 kg
3-512200	200 cm	20 cm	3,8 kg
3-512225	225 cm	20 cm	4,2 kg
3-512250	250 cm	20 cm	4,6 kg
3-512300	300 cm	20 cm	5,6 kg
3-512350	350 cm	20 cm	6,5 kg
3-512400	400 cm	20 cm	7,5 kg



3-512...

Both the MATO 3 and the MATO 8 modular scaffolding system use the same universal toe board from Tobler. The aptly named universal toe board can be used with any modular scaffolding system.



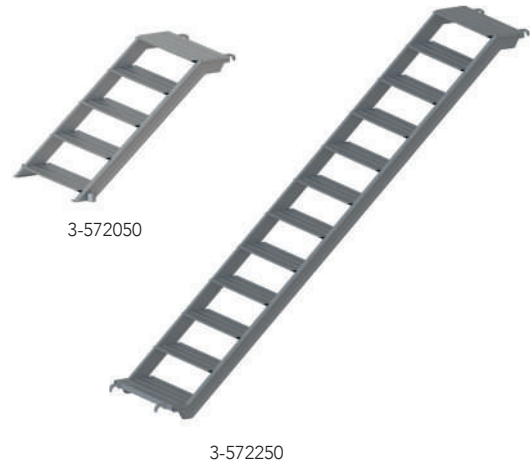
MATO 3 All-in-one scaffolding system

Stairs.

Stairs

- Made of aluminium

Article no.	Length	Width	Height	Weight
3-572050	80 cm	73 cm	50 cm	6,9 kg
3-572075	100 cm	73 cm	75 cm	10,1 kg
3-572100	135 cm	73 cm	100 cm	12,1 kg
3-572250	250 cm	73 cm	200 cm	23,7 kg
3-572300	300 cm	73 cm	200 cm	27,3 kg



Staircase handrail

- Made of aluminium
- Lower staircase handrail

Article no.	Length	Weight
3-171250	250 cm	3,3 kg
3-171300	300 cm	3,8 kg



- Upper staircase handrail

Article no.	Length	Weight
3-172250	250 cm	4,0 kg
3-172300	300 cm	4,4 kg



- Staircase handrail set consisting of 3-171250 and 3-172250

Article no.	Length	Weight
3-172250S	250 cm	7,3 kg



- Staircase handrail set consisting of 3-171300 and 3-172300

Article no.	Length	Weight
3-172300S	300 cm	8,7 kg

MATO 3 All-in-one scaffolding system

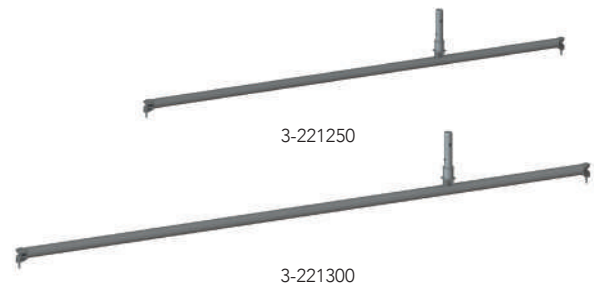
Stairs.



Staircase bar

- Made of steel

Article no.	Length	Weight
3-221250	250cm	8,5kg
3-221300	300cm	10,0kg



Application example



MATO 3 All-in-one scaffolding system

Weather protection.

Catwalk roof

- Adjustable
- Water drainage to the inside or outside possible
- Can be mounted on any facade scaffolding, width depending on system
- The only storm-safe catwalk roof

Article no.	Designation	Length	Weight
N-3-586225	Set article for MATO 3*	210 cm	4,4 kg

* Set item consisting of upright tube (large and small), aluminium rail, and clip

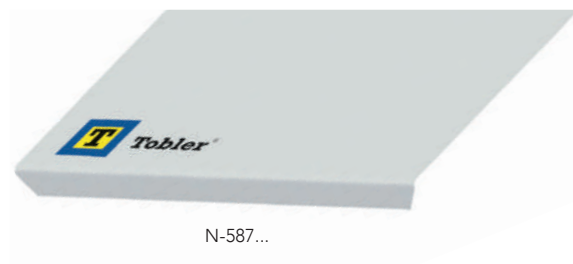


Sheeting for catwalk roof

- With piping
- Colour marking

Article no.	Width cm	Length	Weight
N-587070	■ 70	225 cm	1,1 kg
N-587100	■ 100	225 cm	1,3 kg
N-587125	■ 150	225 cm	1,6 kg
N-587150	■ 150	225 cm	1,9 kg
N-587200	■ 200	225 cm	2,8 kg
N-587250	■ 250	225 cm	3,3 kg
N-587300	■ 300	225 cm	3,8 kg

Other widths on request.



Sheet clamp

- Aluminium set: Aluminium sheet clamp, incl. pins Ø 12×60mm and spring cotters

Article no.	Length	Weight
N-588040	30 cm	1,4 kg



Clip for catwalk roof

Article no.	Weight
N-850001	0,1 kg



MATO 3 All-in-one scaffolding system

Weather protection.



Horizontal brace

- Made of steel

Article no.	DIBt	Length	Weight
1-231070	→	70 cm	1,1 kg
1-231100	→	100 cm	1,5 kg
1-231150	→	150 cm	2,2 kg
1-231200	→	200 cm	3,0 kg
1-231250	→	250 cm	3,8 kg
1-231300	→	300 cm	4,5 kg



1-231150

- Made of aluminium

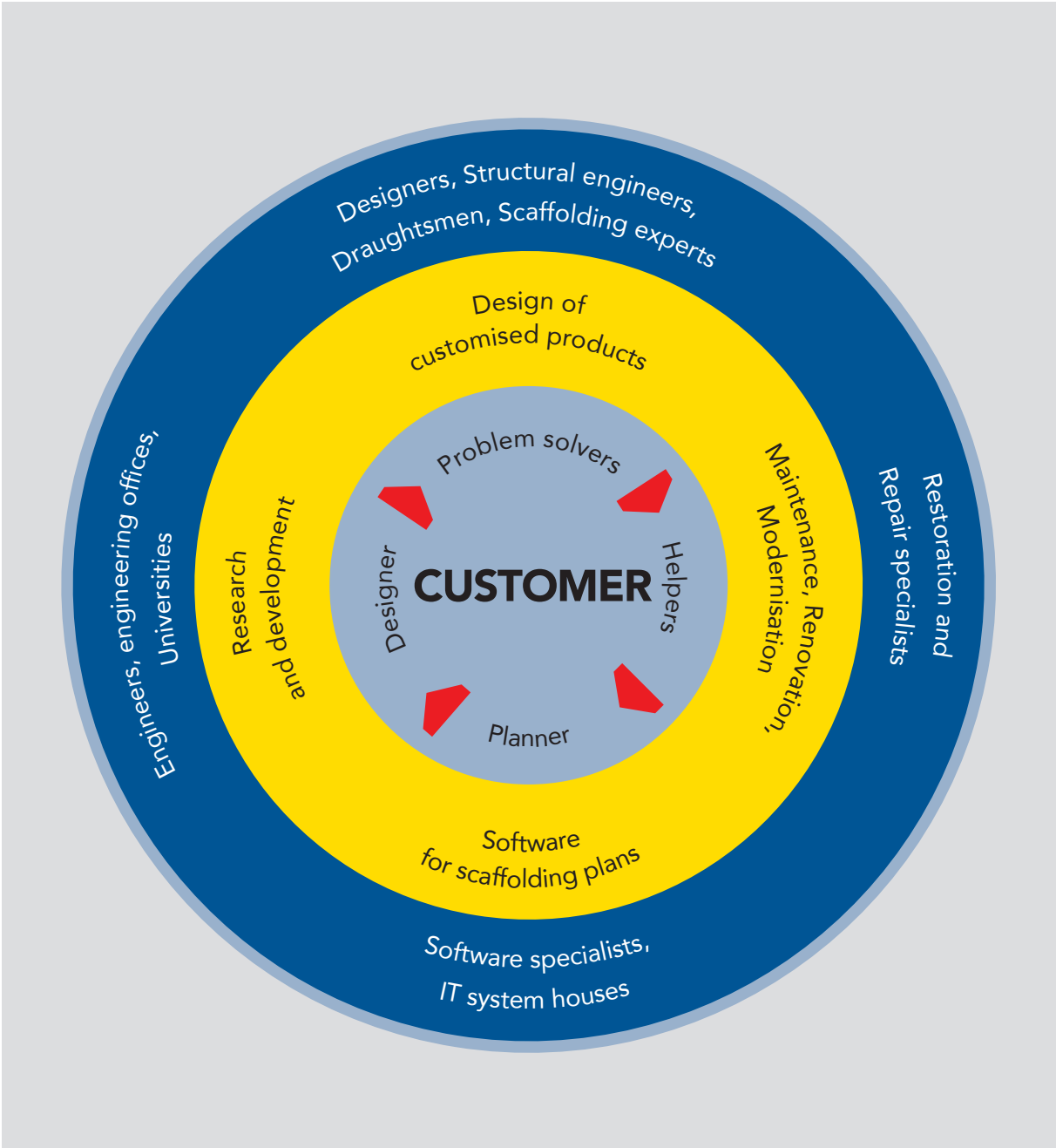
Article no.	DIBt	Length	Weight
1-131070	→	70 cm	0,5 kg
1-131100	→	100 cm	0,7 kg
1-131125	→	125 cm	0,9 kg
1-131150	→	150 cm	1,1 kg
1-131180	→	180 cm	1,4 kg
1-131200	→	200 cm	1,5 kg
1-131225	→	225 cm	1,7 kg
1-131250	→	250 cm	1,9 kg
1-131300	→	300 cm	2,2 kg



1-131150

MATO 3 All-in-one scaffolding system

360° competence for scaffolding.



We will find the optimal solution for your problem.

We love challenges. Benefit from our know-how, which has grown over decades, and from our loyal team of experienced employees.

MATO 3 All-in-one scaffolding system

Innovation since 1995.



Enjoyment of industrial construction

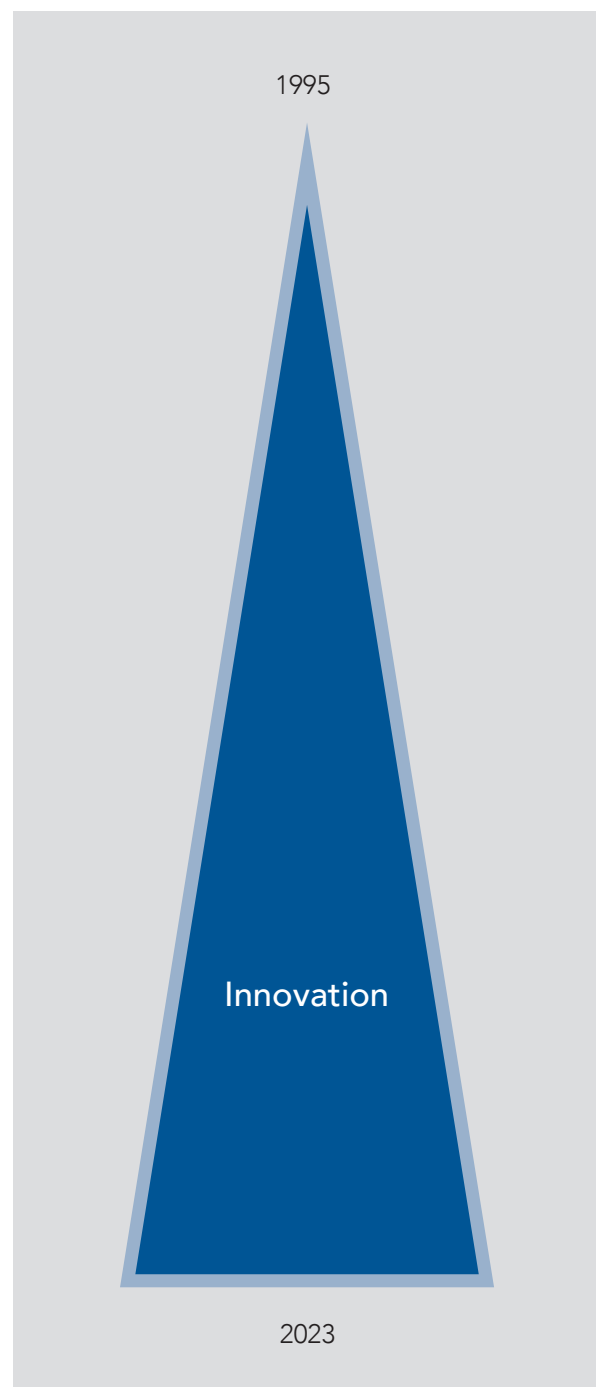
In 1995, Tobler was the first company in the world to develop an extruded platform made of solid aluminium and launched it on the market in 1996.

Just one year later, another world première followed: the solid aluminium platform with hatch and ladder.

Since then, year after year, Tobler has developed a wide range of innovations for the construction industry that make your life safer and easier.

27 years of experience in scaffolding

Our facade and modular scaffolding has become even better every year through innovations. Driven by our ambition to deliver the best to you, we will continue to develop our offering, research patentable solutions and continually test new ideas in the market.



Tobler Storage

Lattice and stackable boxes.

Safely stored and stacked

Our lattice boxes are a space-saving solution for secure storage in the building yard, during transport and on the construction site.

Tobler pallets and storage racks feature impressive strength, stability and durability.

Goods can therefore be stacked safely at any height.

Lattice box with lengthwise folding part

- 4 units, stackable

Article no.	Length	Width	Height	Load-bearing capacity
B-210060	60 cm	80 cm	50 cm	2,0 t
B-210120	120 cm	80 cm	80 cm	2,0 t



B-210120

Stackable box with open sides

Article no.	Length	Width	Height	Load-bearing capacity
B-211060	60 cm	80 cm	50 cm	1,5 t
B-211120	120 cm	80 cm	80 cm	1,5 t



B-211120

Stackable box, open all around

Article no.	Length	Width	Height	Load-bearing capacity
B-212060	60 cm	80 cm	50 cm	1,5 t
B-212120	120 cm	80 cm	80 cm	1,5 t
B-212240	240 cm	80 cm	80 cm	1,5 t



B-212120

Steel box with flap

- 4 units, stackable

Article no.	Length	Width	Height	Load-bearing capacity
B-216060	60 cm	80 cm	50 cm	2,0 t
B-216120	120 cm	80 cm	80 cm	2,0 t



B-216120



Aluminium frame rack

- Rack for 29 H frames

Article no.	Length	Width	Weight
3-180075	258 cm	82,5 cm	40,2 kg



3-180075

- Rack for 41 T frames

Article no.	Length	Width	Weight
3-181075	258 cm	82,5 cm	89,3 kg



3-181075

Steel tube pallet

- Removable corner bars

Article no.	Length	Width	Height	Load-bearing capacity
54-B-212085	85 cm	85 cm	87 cm	1,5 t
54-B-212120	125 cm	85 cm	87 cm	1,5 t



54-B-212120

Pallet for long items

Article no.	Length	Width	Height	Load-bearing capacity
52-1911010	60 cm	120 cm	68 cm	2,0 t
52-1911011	100 cm	120 cm	68 cm	2,0 t



52-1911011

Transport frames

Article no.	Length	Width	Height	Load-bearing capacity	Type
52-1912005	105 cm	103 cm	78 cm	1,0 t	TR-Tread
52-1912015	160 cm	103 cm	47 cm	1,0 t	div. AR-CS
52-1912020	160 cm	103 cm	78 cm	1,0 t	B-board



52-1912015

We also produce lattice boxes and storage racks to customer specifications.

Note: You can find even more solutions for an efficient warehouse in our **Tobler** Storage catalogue.

Scaffolding protection nets

- Type 37 RASCHEL
- All nets have a robust buttonhole overstitching
- Woven PE fabric, approx. 37 g/m²
- Also available in company colours for large quantities

Article no.	Length	Width	Wind permeability
S-720250	100m	2,5m	approx. 60%
S-720300	100m	3,0m	approx. 60%
S-720400	100m	4,0m	approx. 60%
S-720500	100m	5,0m	approx. 60%

- Type 40 ECO
- PE monofilament fabric, 42 g/m²
- Mesh size 10 × 3 mm
- Also available in company colours for large quantities

Article no.	Length	Width	Wind permeability
S-722250	100m	2,5m	approx. 70%
S-722300	100m	3,0m	approx. 70%
S-722400	100m	4,0m	approx. 70%

- Type 50 MATO
- PE monofilament fabric, 50 g/m²
- Mesh size 8 × 3 mm
- Also available in company colours for large quantities

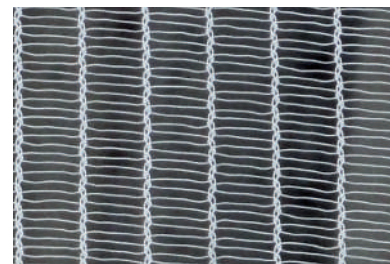
Article no.	Length	Width	Wind permeability
S-724250	100m	2,5m	approx. 65%
S-724300	100m	3,0m	approx. 65%
S-724400	100m	4,0m	approx. 65%

- Type 55 RAFIA
- Woven PE fabric, 55 g/m² (also printable)
- Mesh size 8 × 3 mm
- Choice of colours: black, white, green, blue, red, yellow, orange

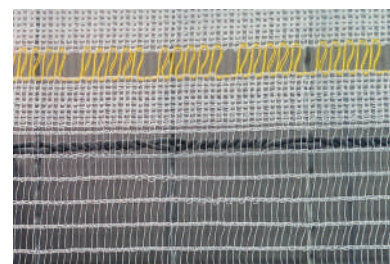
Article no.	Length	Width	Wind permeability
S-728250	100m	2,57m	approx. 50%



Type 37



Type 40



Type 50



Type 55



- Type 230 MESH
- Perforated PVC, 340 g/m² (also printable)
- Mesh size 3 × 1 mm
- Full-surface digital print in photographic quality (suitable for megaposters)
- Also available in fire-retardant quality B1–5.1
- Colour: white

Article no.	Length	Width	Wind permeability
S-736175	3,40m	1,75 m	approx. 10%

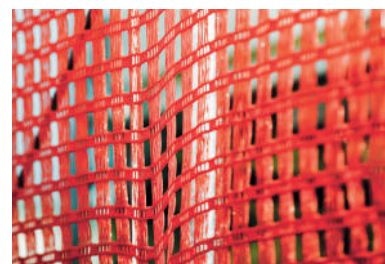


Type 230

Catwalk net type 200 T

- Faster and simple assembly without additional tubes
- With integrated rope hem
- Subjected to dynamic testing as per SN EN 13374
- Made from UV-resistant plastic

Article no.	Length	Width	Colour
S-735008	8,0m	2,0m	Orange
S-735013	13,0m	2,0m	Orange
S-735025	25,0m	2,0m	Orange
S-735050	50,0m	2,0m	Orange



Type 200 T

Strap

Article no.	Length	Colour
S-750030	35 cm	Blue
S-750160	160 cm	Blue



S-750160

Sheet fasteners

- Net/ cable ties

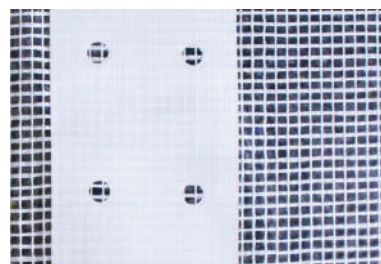
Article no.	Description	Length	Width	Pcs/package
S-750012	Net/ cable ties	300mm	4,8mm	11'000
S-750014	Net/ cable ties	370mm	7,6mm	4'500
S-750020	Flexible toggle ties	300mm	–	1'000



Scaffolding sheeting

- Reinforced scaffolding sheeting, 220g/m²

Article no.	Length	Width	Weight
S-710140	20m	1,40m	6,4kg
S-710240	20m	2,40m	11,0kg
S-710250	20m	2,70m	12,5kg
S-710300	20m	3,20m	15,3kg
S-710400	20m	4,10m	19,6kg

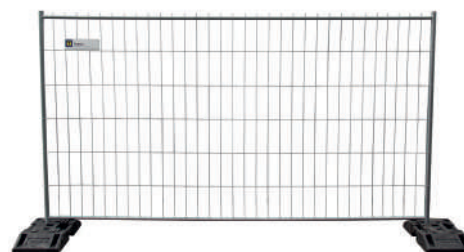


S-710...

Mobile fence «Standard»

- Hot-dip galvanised, light and inexpensive design
- Mesh size: vertical: 100 mm/horizontal: 300mm
- Wire diameter: vertical: 3,4mm/horizontal: 3,8mm

Article no.	Length	Height	Weight
B-200120	220 cm	120 cm	9,9 kg
B-200200	220 cm	200 cm	11,0 kg
B-200350	350 cm	200 cm	15,2 kg

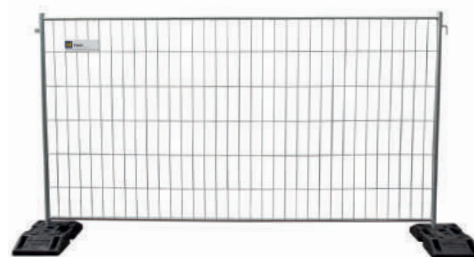


B-200350

Mobile fence «Professional»

- Hot-dip galvanised
- Wire diameter: vertical: 3,5mm/horizontal 4 mm
- With welded hooks and eyelets

Article no.	Length	Height	Weight
B-200201	220 cm	200 cm	17,2 kg
B-200351	350 cm	200 cm	20,6 kg
B-200352	350 cm	120 cm	9,9 kg



B-200351



Accessories for mobile fence

- Pedestal made of plastic

Article no.	Length	Width	Height	Weight
B-310028	75 cm	38 cm	13 cm	25,0 kg



B-310028

- Steel base

Article no.	Length	Width	Height	Weight
B-310030	40 cm	25 cm	15 cm	4,5 kg



B-310030

- Connecting lash

Article no.	Weight
B-261002	0,3 kg



B-261002

- Swivel joint for door mounting

Article no.	Weight
B-200001	1,0 kg



B-200001

- Plastic wheel

Article no.	Wheel diameter	Weight
B-200002	Ø 200 mm	1,5 kg



B-200002

Safety signage

- Signs with loading information
- Without steel frame

Article no.	Language	Length	Height	Colour
S-760011	German	60cm	40cm	Yellow
S-760012	French	60cm	40cm	Yellow
S-760013	Italian	60cm	40cm	Yellow
S-760014	English	60cm	40cm	Yellow

- Signs with load information
- Without steel frame

Article no.	Language	Length	Height	Colour
S-760021	German	60cm	40cm	White
S-760022	French	60cm	40cm	White
S-760023	Italian	60cm	40cm	White
S-760024	English	60cm	40cm <td White	

- Auxiliary sign for safety sign
- Mandatory according to the new Construction Work Ordinance BauAV 2022

Article no.	Language	Length	Height	Colour
S-760320	German	60cm	18cm	White
S-760321	French	60cm	18cm	White
S-760322	Italian	60cm	18cm	White
S-760323	English	60cm	18cm	White

- Signs with steel frame and mount

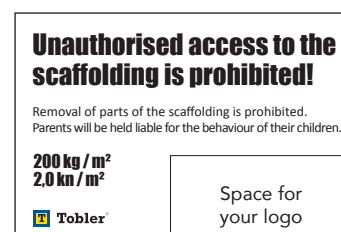
Article no.	Language	Length	Height	Colour
S-760111	German	60cm	40cm	Yellow
S-760112	French	60cm	40cm	Yellow
S-760113	Italian	60cm	40cm	Yellow
S-760114	English	60cm	40cm	Yellow

- Signs with steel frame and mount

Article no.	Language	Length	Height	Colour
S-760121	German	60cm	40cm	White
S-760122	French	60cm	40cm	White
S-760123	Italian	60cm	40cm	White
S-760124	English	60cm	40cm	White



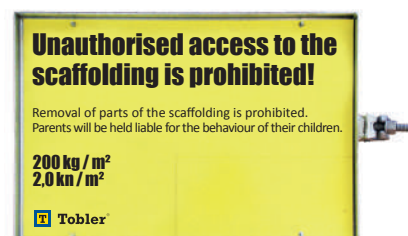
S-760014



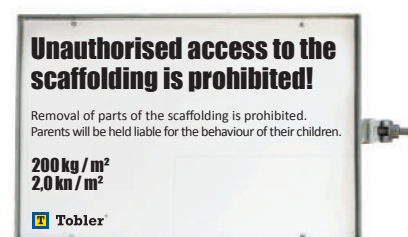
S-760024



S-760323



S-760114



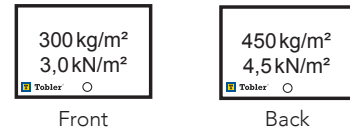
S-760124



Safety signage

- Small auxiliary sign, front 300kg/m², rear 450kg/m²

Article no.	Length	Height	Colour
S-760310	25 cm	15 cm	White



Front

Back

S-760310

- Steel frame for safety sign
- With screw coupling

Article no.	Length	Height
S-760212	60 cm	40 cm



S-760212

Sleeve for scaffolding test certificate

- Mandatory according to the new Construction Work Ordinance BauAV 2022

Article no.	Language	Format
S-760333	German	DIN A5
S-760334	German	DIN A4
S-760335	French	DIN A5
S-760338	French	DIN A4
S-760336	Italian	DIN A5
S-760339	Italian	DIN A4
S-760337	English	DIN A5
S-760340	English	DIN A4



S-760337

S-760340

Safety sheeting

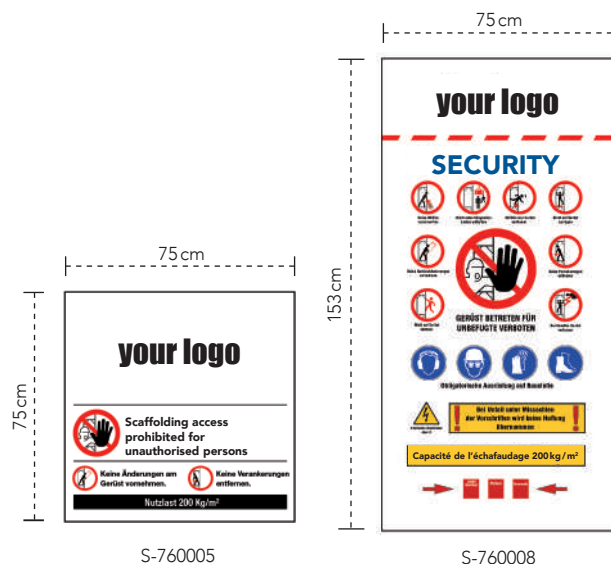
- Safety sheeting, PVC
- DIN 75200, 670g/m²
- Flame resistant

Article no.	Language	Length	Height
S-760001	German	75 cm	75 cm
S-760003	French	75 cm	75 cm
S-760004	Italian	75 cm	75 cm
S-760005	English	75 cm	75 cm

Other sheet sizes available at customer's request

Article no.	Language	Length	Height
S-760002	German	75 cm	153 cm
S-760006	French	75 cm	153 cm
S-760007	Italian	75 cm	153 cm
S-760008	English	75 cm	153 cm

Other sheet sizes available at customer's request



S-760005

S-760008

Note: You can find more accessories for even more safety in our catalogue **Tobler Trading**.

MATO 3 All-in-one scaffolding system

Experiencing service quality.

Speed	Fast service– convenience for the customer.
Accuracy	We track the life cycle of our products and measure our services consistently.
Efficiency	We strive to combine speed and accuracy – and help you to reduce your costs.
Accessibility	We strive to provide first-class customer service – at all times.
Openness	If you're happy with us, please recommend us to others – otherwise, we welcome your suggestions at any time.
Responsibility	Maximum safety with certified products.
Innovation	We never remain idle – Tobler stands for innovation in scaffolding.



Tobler Mission statement

Efficiency. Flexibility. Safety.



Mission statement

Together we implement solutions that are centred around the customer and their success.

We support you as a reliable partner for all matters relating to scaffolding and formwork assembly, and develop customer-specific solutions – from planning through engineering to production.

As an innovative full-service provider, we think ahead. We carry our philosophy of efficient, flexible and safe construction further into the industry.

With our products you can rely on excellent functionality and the highest production quality.





Swiss Engineering.
Swiss Technology.



MATO Scaffoldings

Efficiency. Flexibility. Safety.

Facade scaffoldings	MATO 1 MATO 2	MATO 53 CK compatible with your existing scaffolding MATO 54 Lay MATO 62 Ple MATO 65 Hün	
All-in-one scaffolding system	MATO 3 MATO 8	MATO Connect Road Bridge MATO Connect Bridge Beam	
Roof systems	MATO Pro	MATO Pro Anti-fall protection MATO Pro Temporary roof systems MATO Pro Walkway roofing	
Mobile scaffoldings	MATO R	MATO R Profi MATO R Pro MATO R Eco MATO R One man tower	
Work scaffolding on construction sites	MATO T	MATO T Stair towers MATO T Cable bridges MATO T Ramps for site access MATO T Scaffoldings for Concreting and Reinforcement	
Events	MATO E	MATO E Stages & Tribunes MATO E Event-Service/Support MATO E R & D	
Accessories	MATO Z	MATO Z Scaffolding accessories MATO S Safety accessories MATO B Construction devices Tobler Logistics	
Storage solutions	Tobler Storage	Tobler Cantilever Shelving Tobler Pallet Shelving Tobler Floor Special Shelving Tobler Box Lattice and steel boxes Tobler Rack Pallets and Racks	
Services	Tobler Services	R & D / Static calculations / CAD / Trainings / Customer solutions / Customized Solutions / Finance and Consulting Second hand / Trade-in old for new	

Tobler Formwork

Enjoying industrialized construction.



<p>Wall formwork</p>	<p>Tobler Wall</p>	<p>Tobler Top Tobler Manu Master Pro (Ringer) Master Steel/Alu (Ringer) System 2000 Steel/Alu (Ringer)</p>	
<p>Slab formwork</p>	<p>Tobler Sky</p>	<p>Tobler Deck Tobler Desk Slab Table /Kart Tobler Flex AluDEK (Ringer) DEKplus Slab Table (Ringer)</p>	
<p>Individual formwork</p>	<p>Tobler I</p>	<p>Tobler Rex Girder wall formwork Tobler Varia Circular formwork Tobler Project Special formwork</p>	
<p>Shoring systems</p>	<p>Tobler H</p>	<p>Tobler Tower Heavy-Duty Props Tobler T22 Load-bearing system</p>	
<p>Work scaffolding on construction sites</p>	<p>MATO T</p>	<p>MATO T Reinforcement scaffolding MATO T Ramps for site access, MATO T Towers / Cable bridges MATO R Pro /Eco MATO R One Man Tower</p>	
<p>Engineering</p>	<p>Tobler Kit</p>	<p>MATO 3 MATO 8 MATO Connect Road Bridge MATO Connect Bridge Beam</p>	
<p>Accessories</p>	<p>Tobler Accessories</p>	<p>Tobler Formwork accessories Tobler Construction devices Tobler Logistics Tobler Storage solutions</p>	
<p>Services</p>	<p>Tobler Services</p>	<p>Tobler Rent Tobler ForU Tobler Care Tobler Revalued</p>	
<p>Digital services</p>	<p>my Tobler</p>	<p>Tobler Formwork planner Tobler Engineering</p>	



At home in Switzerland – anchored in Europe

We are developing the internationalisation of
our product range.



**Order
& advice**
bestellung@tobler-ag.com
+41 71 886 06 06

Copyright 2023 Tobler AG / 08.2023

« With its ingenious component interaction and
limitless applications, the pole and frame variant
systems take scaffolding to the next level: MATO 3,
the first all-in-one scaffolding system. »



Markus Etter
Sales Manager Scaffolding

